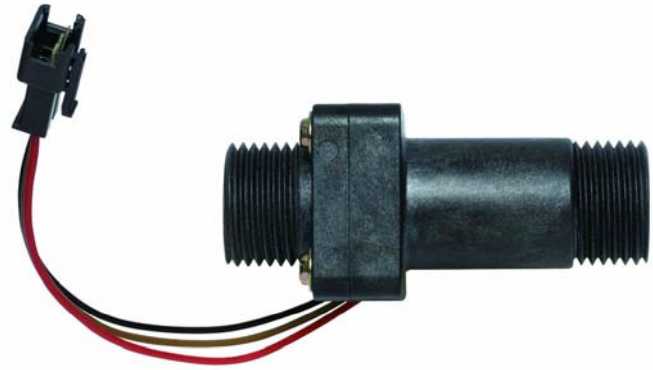


Features :

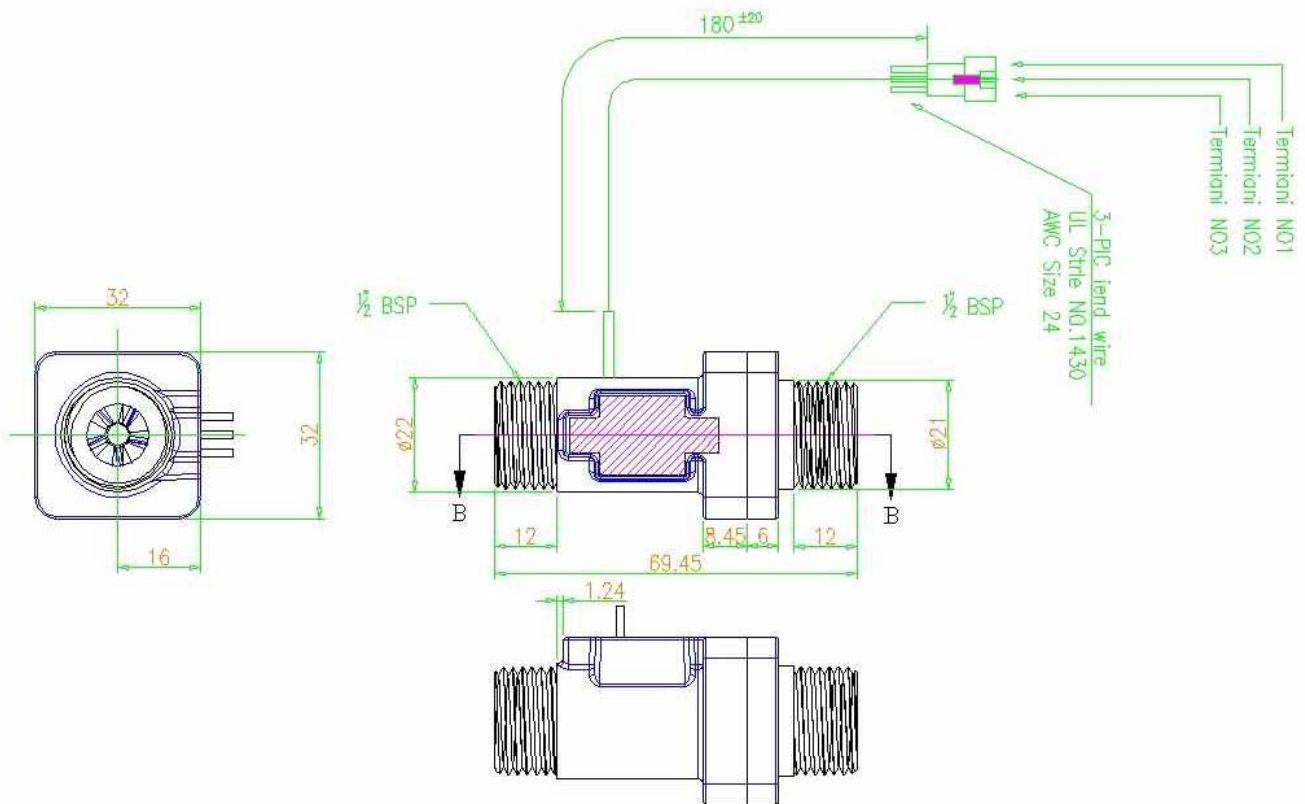
- Small and compact dimension
- Easy connection, 1/2" BSP thread
- High reliability and durability
- Installation flexibility : vertical or horizontal
- Wide rated voltage : 2.4 to 26 VDC
- Hall effect sensor, digital output



Application :

- ✓ Water heater, boiler and heat pump

1.0 Mechanism :



2.0 Electrical :

Supply voltage : 2.4 – 26 V DC

Supply current : typical 3.0 mA, maximum 6.0 mA.

Output mode : open collector

Output rise time : typical 1.0μsecond. maximum 10μsecond.

Output falling time : typical 0. 3μsecond. maximum 1.5μsecond.

Wire connection : Terminal 1 (Red) : Vdd

Terminal 2 (Brown) : Vout

Terminal 3 (Black) : Gnd

3.0 Application :

Mounting Method : Horizontal to Vertical

Range of Flow Rate : 1.5 – 25 L/min.

Calibration(horizontal mounting) : 3.5 ± 1.0 pps @ 1.5 Liter/min.
 26.1 ± 3.0 pps @ 6.0 Liter/min.
 57.8 ± 5.0 pps @ 15.0 Liter/min.
 76.2 ± 7.0 pps @ 20.0 Liter/min.

Calibration(vertical mounting) : 6.9 ± 1.0 pps @ 1.5 Liter/min.
 26.3 ± 2.0 pps @ 6.0 Liter/min.
 58.9 ± 5.0 pps @ 15.0 Liter/min.
 77.5 ± 7.0 pps @ 20.0 Liter/min

Maximum working pressure : 1MPa

Fluid : Cold / Warm Water

Fluid temperature : 0 ~ 80°C

Environment temperature : -20 ~ 80°C

Body Materials : PPS with 40% glass fiber

Inside turbine holder : Acetal copolymer (POM)

Turbine : plastic magnet

Turbine stick : ceramic