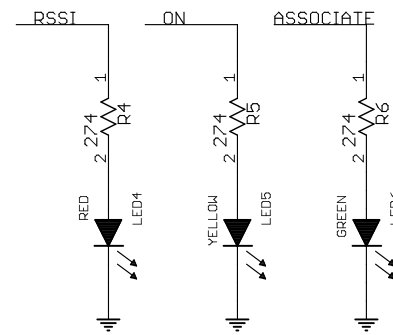
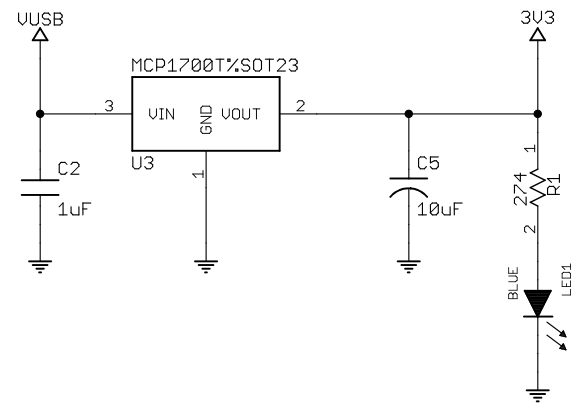


3.3V 250mA REGULATOR



| | | | |
|--------------------------------------|---------|--|--|
| GRAVITECH WWW.GRAVITECH.US | | MADE IN U.S.A ELECTRONIC EXPERIMENTAL SOLUTIONS | |
| TITLE: XBEE-ADP | | | |
| DWG NUMBER: | | REV: 1.0 | |
| DATE: 12/11/2008 7:38:39 AM | SIZE: B | SHEET: 1/1 | |