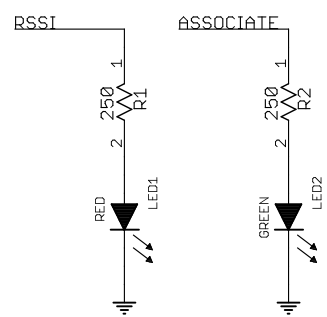
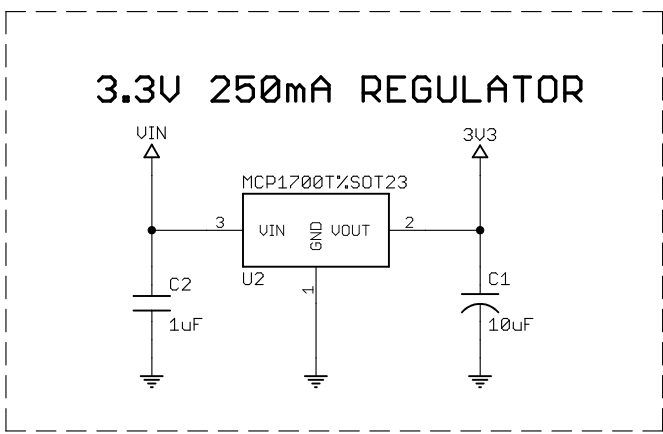
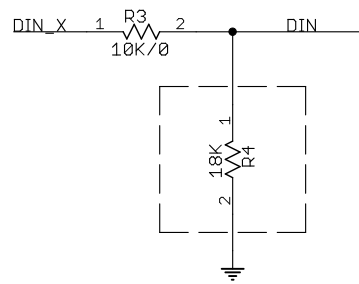


5U version



GRAVITECH WWW.GRAVITECH.US		MADE IN U.S.A ELECTRONIC EXPERIMENTAL SOLUTIONS	
TITLE: XBEE-BRD			
DWG NUMBER:		REV: 1.0	
DATE: 11/1/2008 5:19:07 PM	SIZE: B	SHEET: 1/1	