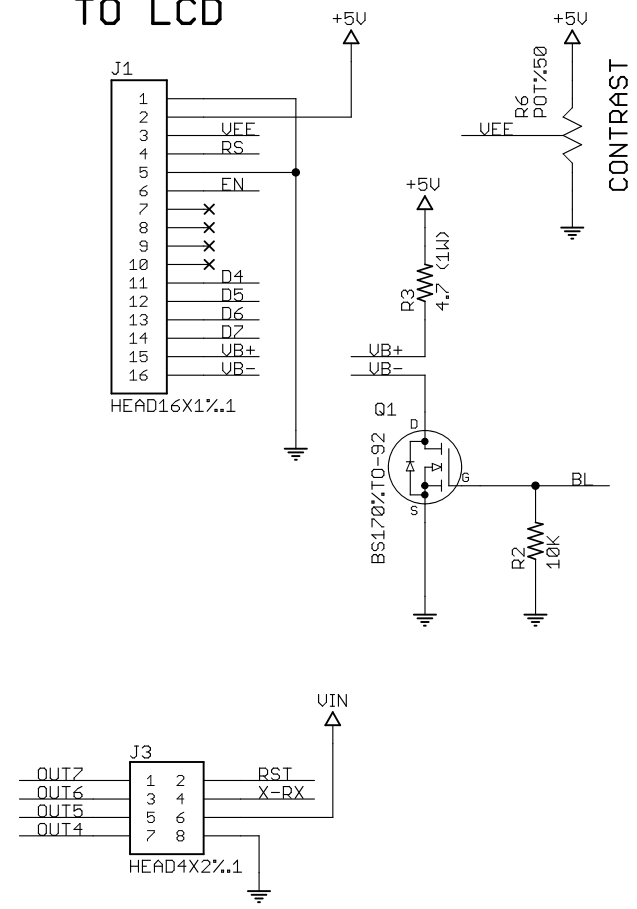
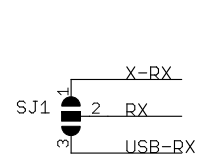


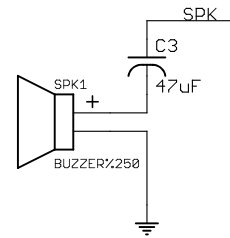
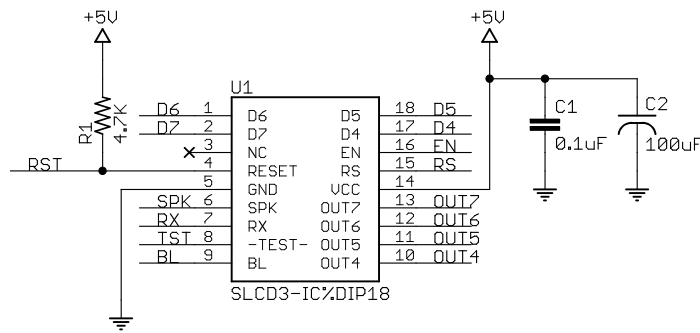
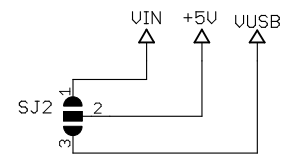
TO LCD



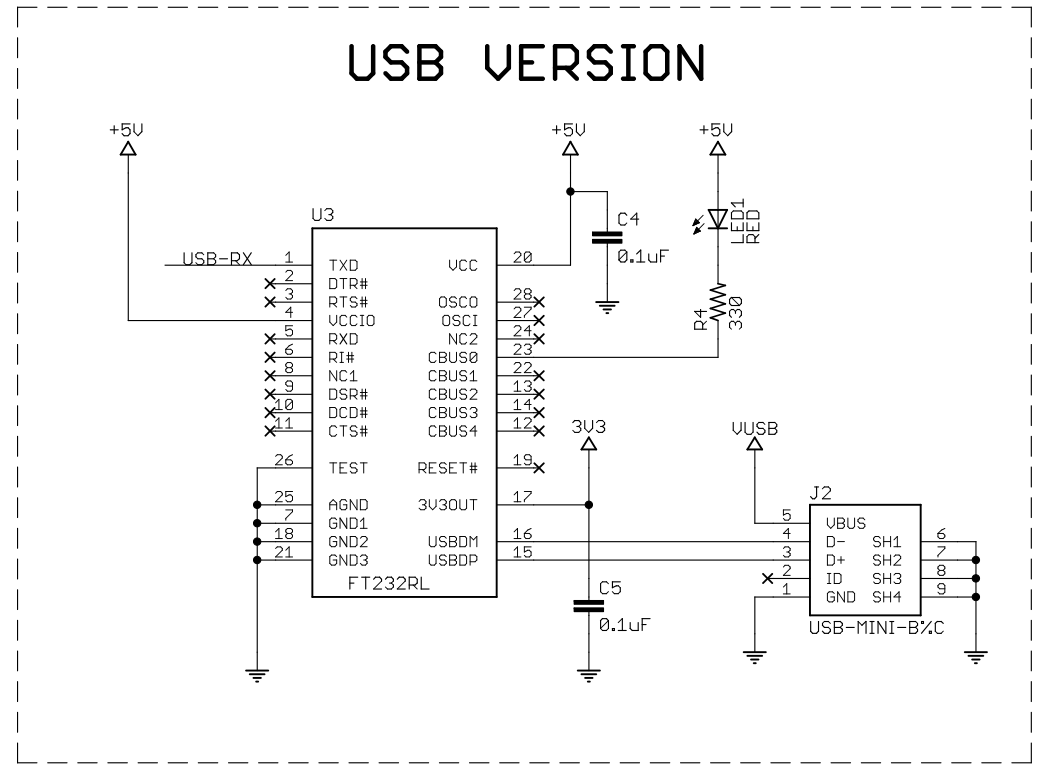
RX OPTIONS



POWER OPTIONS



USB VERSION



G

| | | | |
|--------------------------------------|---------|--|--|
| GRAVITECH WWW.GRAVITECH.US | | MADE IN U.S.A ELECTRONIC EXPERIMENTAL SOLUTIONS | |
| TITLE: SLCD_v3 | | | |
| DWG NUMBER: | | REV: | |
| DATE: 1/4/2009 10:17:51 AM | SIZE: B | SHEET: 1/1 | |