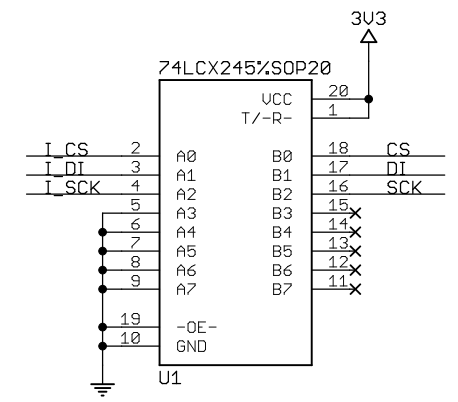
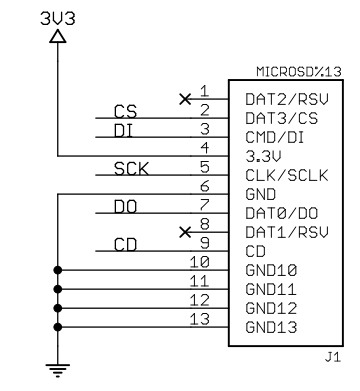


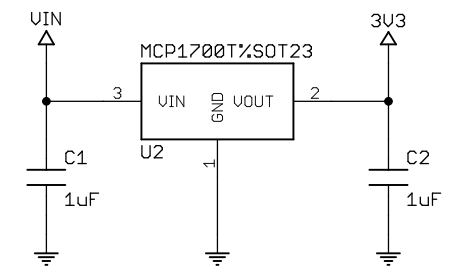
LEVEL TRANSLATOR / BUFFER



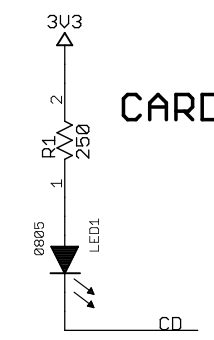
MICROSD CARD



3.3V 250mA REGULATOR



CARD DETECT LED



G

GRAVITECH WWW.GRAVITECH.US		MADE IN U.S.A ELECTRONIC EXPERIMENTAL SOLUTIONS	
TITLE: MicroSD_Adapter			
DWG NUMBER: MICROSD-ADP		REV: 1.0	
DATE: 10/4/2008 5:57:35 PM	SIZE: B	SHEET: 1/1	