

LCD-20x4B

20x4 Liquid Crystal Display with HD44780 driver (Blue Backlight and White Character)

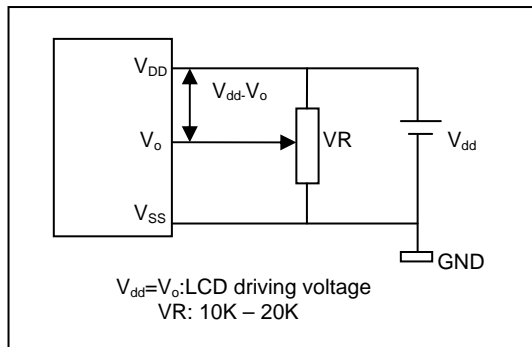
Specifications

Display Format	20 characters x 4 lines
Drive Method	1/16 duty, 1/5 bias
LCD Type	STN Blue
LED Backlight	White
Viewing direction	6: 00
Operating Temperature	-20°C to 60°C

Electrical Characteristics

Parameter	Symbol	Condition	Stand value			UNIT
			Min.	Typ.	Max.	
Supply Voltage for Logic	$V_{DD}-V_{SS}$	-	4.5	5.0	5.5	V
Supply Voltage for LCD	$V_{DD}-V_o$	-	-	4.7	-	V
Input Logic HIGH	V_{IH}	-	2.2	-	V_{DD}	V
Input Logic LOW	V_{IL}	-	-0.3	-	0.6	V
Output Logic HIGH	V_{OH}	$-I_{OH}=0.2mA$	2.4	-	-	V
Output Logic LOW	V_{OL}	$I_{OL}=1.2mA$	-	-	0.4	V
Power Supply Current without backlight	V_{DD}	$V_{DD}=5.0V$	-	2.0	5	mA
Power Supply Current with backlight	I_{LED}	$V_{LED}=5.0V$	-	72	80	mA

Power Supply



Block Diagram

