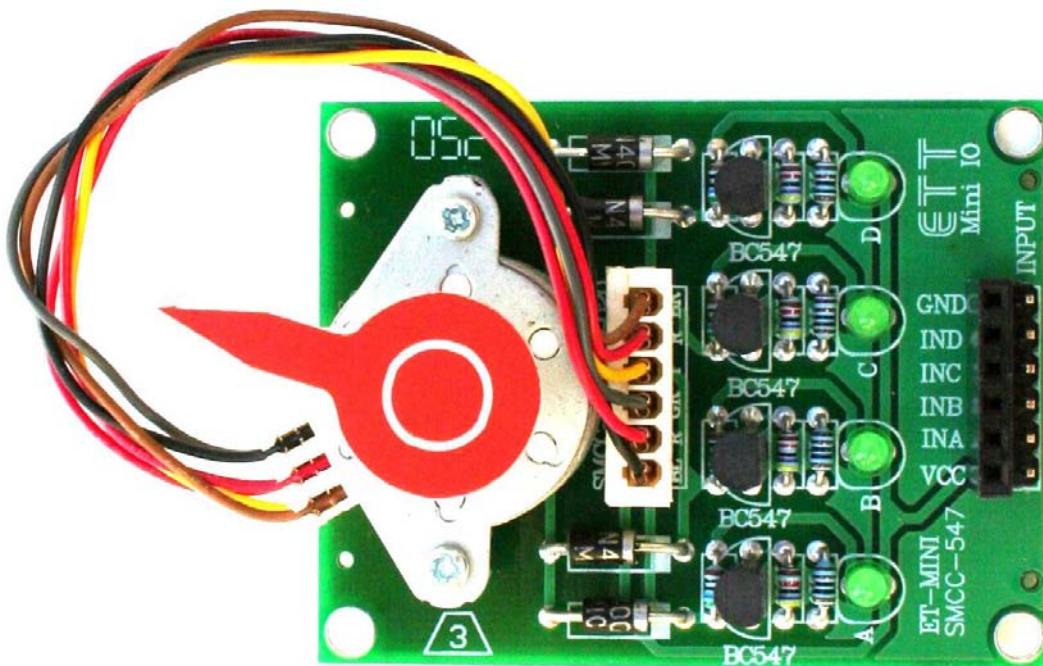


**MR-MINI-STEP-MOTOR™ Mini Stepping Motor Board
User Manual**

GRAVITECH.US



uResearch

GRAVITECH GROUP

Copyright © 2007 MicroResearch
GRAVITECH GROUP WWW.GRAVITECH.US

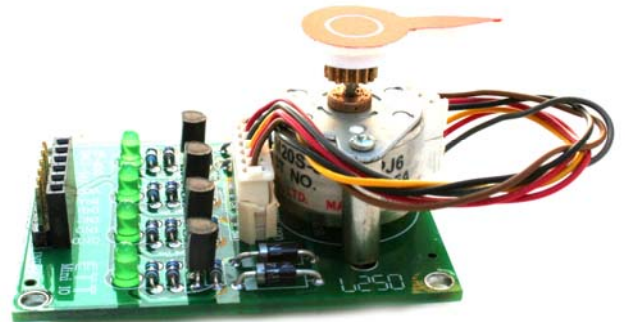
MR-MINI-STEP-MOTOR™ Mini Stepping Motor Board User Manual

Description

The MR-MINI-STEP-MOTOR is a Stepping Motor board. The stepping resolution is about 18° per step. It designed to use BC547 transistor for driving circuit and LEDs indicate when logic HIGH is sending to each phase. LED is illuminating when the phase is running. The board is included on-board step motor. The board is small can compact in size 2.20 x 1.70 inches.

Operation:

User is required to continuously send logic HIGH to each phase sequentially. It can be start from any phase. The module consist of INA, INB, INC and IND pins. These pins are easily connecting to the microcontroller via male or female header pins.



Copyright 2006 All Rights Reserved



Copyright 2006 All Rights Reserved



Copyright 2006 All Rights Reserved



Copyright 2006 All Rights Reserved

Copyright © 2007 MicroResearch
GRAVITECH GROUP WWW.GRAVITECH.US

MR-MINI-STEP-MOTOR™ Mini Stepping Motor Board User Manual

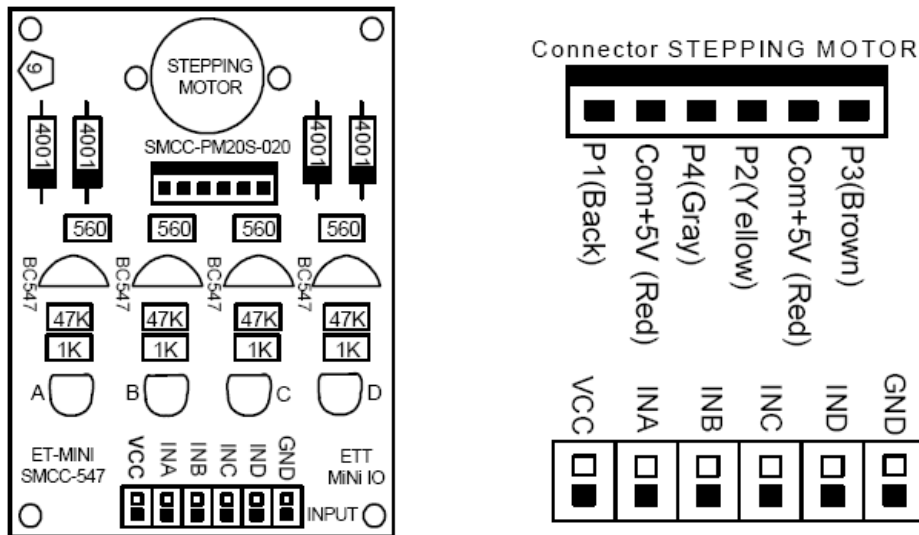


FIG 1: MR-MINI-STEP-MOTOR Board Layout

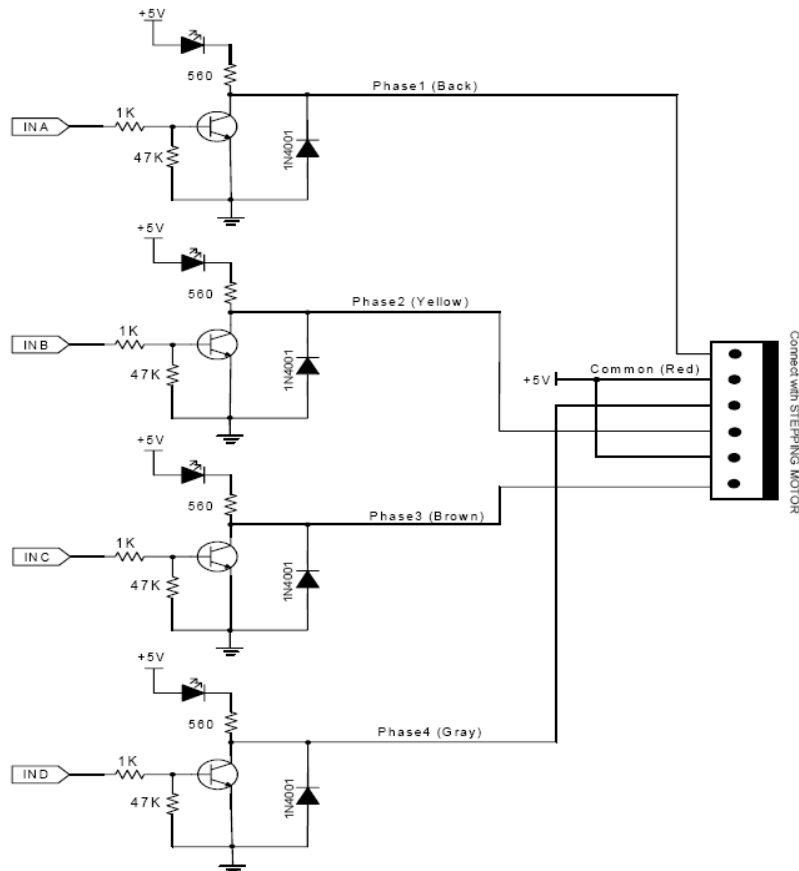


FIG 2: MR-MINI-STEP-MOTOR Schematic

MR-MINI-STEP-MOTOR™ Mini Stepping Motor Board User Manual

Notes

Contact Us

We maintain a website where you can get information on our products, obtain literature and download support files. Visit us online at:

WWW.GRAVITECH.US

Use our online Forum or e-mail your technical support questions to support@gravitech.us. We try to respond to your questions the same day.

For sales questions or to place and order, direct your e-mails to sales@gravitech.us. Refer to our website for product pricing, shipping rates, payment instructions, and for other info we need to complete your order.

Disclaimer: MicroResearch reserves the right to modify its products or literature, or to discontinue any product at any time without prior notice. The customer is responsible for determining the suitability of any device for any application developed using MicroResearch components.

Copyright © 2007 MicroResearch
GRAVITECH GROUP WWW.GRAVITECH.US