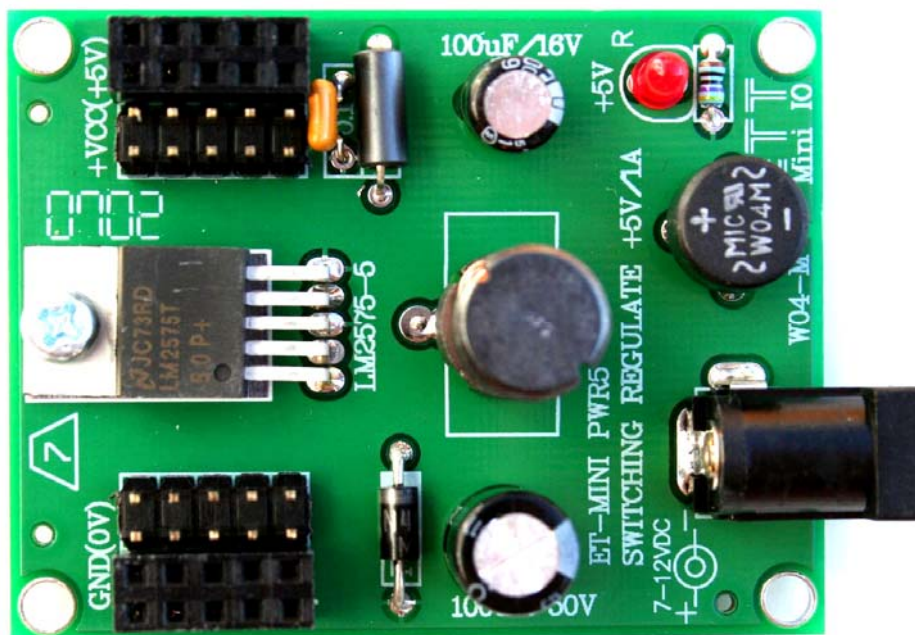


MR-MINI-PWR5™ Mini +5V Switching Power Supply Board
User Manual

GRAVITECH.US



uResearch

GRAVITECH GROUP

Copyright © 2007 MicroResearch
GRAVITECH GROUP WWW.GRAVITECH.US

MR-MINI-PWR5™ Mini +5V Switching Power Supply Board User Manual

Description

The MR-PWR5 is a +5VDC power supply board. There are no external components required. This makes it perfect for embedded systems that need +5V supply.

The board features innovations that set it apart from other supply board. Innovations feature like thermal shutdown, current limit protection and power-on LED. The module can be easy to interface via male or female headers. +7 to +12VDC wall adapter can be use as an input via 2.5mm power jack. The board is small can compact in size 2.20 x 1.70 inches.

The MR-MINI-PWR5 is designed base on LM2575-5 IC. It is monolithic integrated circuits that provide all the active functions for a step-down (buck) switching regulator, capable of driving a 1A load with excellent line and load regulation. The LM2575 series offers a high-efficiency replacement for popular three-terminal linear regulators. It substantially reduces the size of the heat sink, and in many cases no heat sink is required.

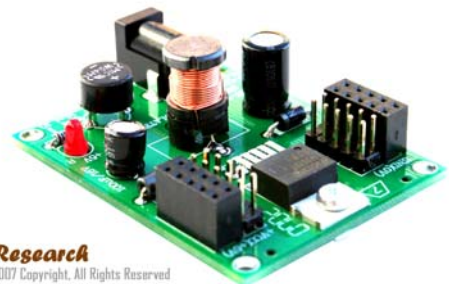
Other features include a guaranteed +/-4% tolerance on output voltage within specified input voltages and output load conditions, and +/-10% on the oscillator frequency. External shutdown is included, featuring 50 μ A (typical) standby current. The output switch includes cycle-by-cycle current limiting, as well as thermal shutdown for full protection under fault conditions.

Features:

- +5VDC output
- Up to 1A output current
- High efficiency
- Thermal shutdown and current limit protection
- Power-on LED
- Small and compact in size
- Four mounting holes on each corner
- Male and female output headers



uResearch
© 2007 Copyright. All Rights Reserved



uResearch
© 2007 Copyright. All Rights Reserved

MR-MINI-PWR5™ Mini +5V Switching Power Supply Board User Manual

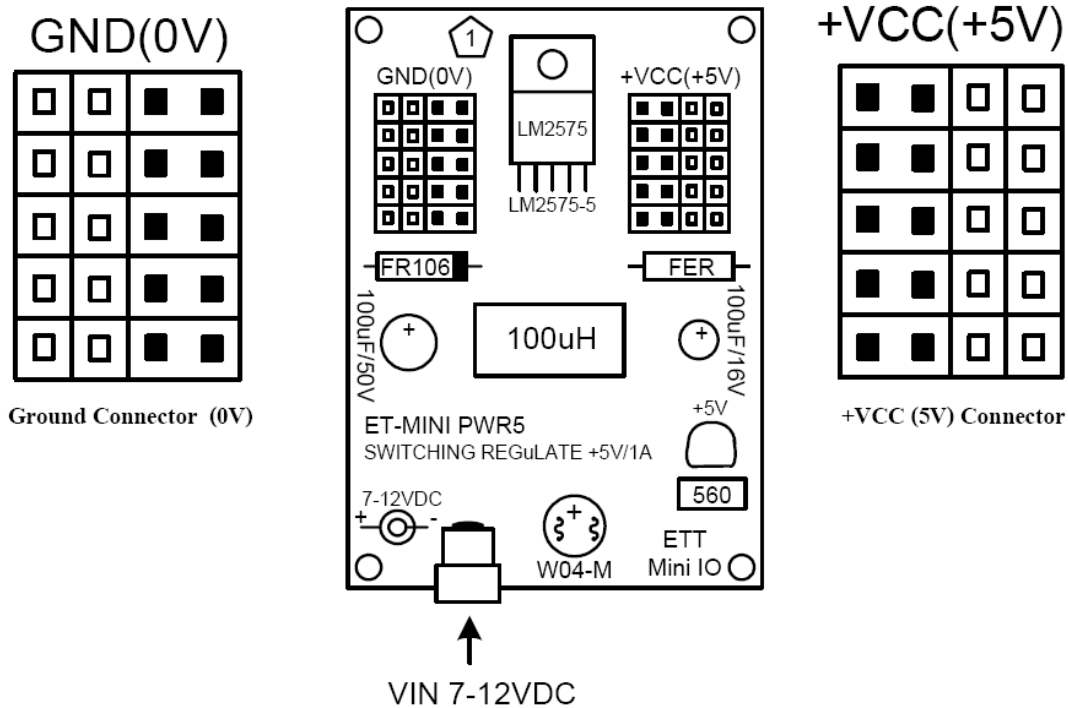


FIG 1: MR-MINI-PWR5 Board Layout

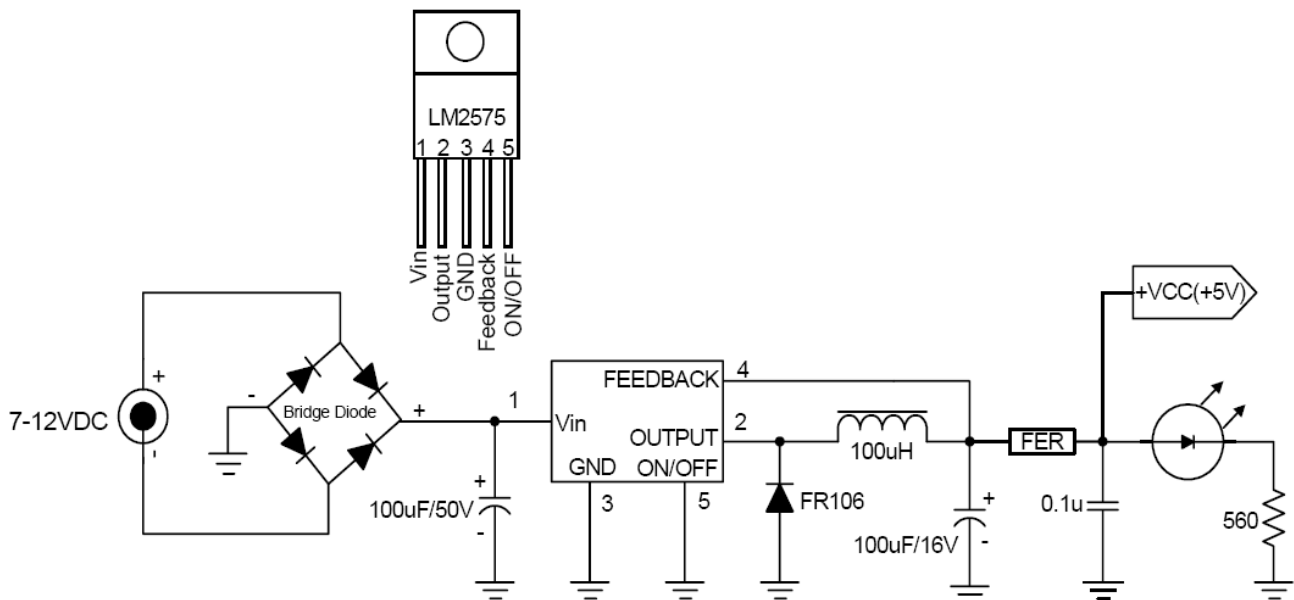


FIG 2: MR-MINI-PWR5 Schematic

MR-MINI-PWR5™ Mini +5V Switching Power Supply Board User Manual

Notes

Contact Us

We maintain a website where you can get information on our products, obtain literature and download support files. Visit us online at:

WWW.GRAVITECH.US

Use our online Forum or e-mail your technical support questions to support@gravitech.us. We try to respond to your questions the same day.

For sales questions or to place and order, direct your e-mails to sales@gravitech.us. Refer to our website for product pricing, shipping rates, payment instructions, and for other info we need to complete your order.

Disclaimer: MicroResearch reserves the right to modify its products or literature, or to discontinue any product at any time without prior notice. The customer is responsible for determining the suitability of any device for any application developed using MicroResearch components.

Copyright © 2007 MicroResearch
GRAVITECH GROUP WWW.GRAVITECH.US