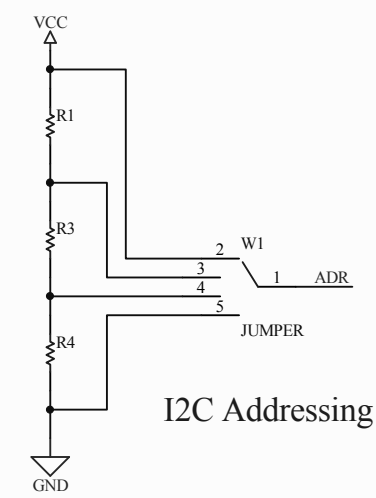
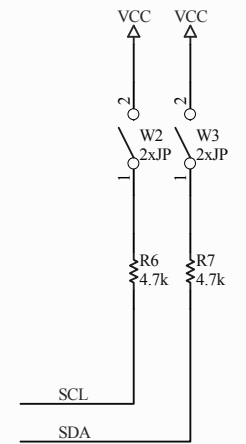
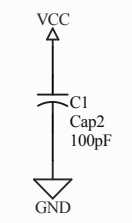
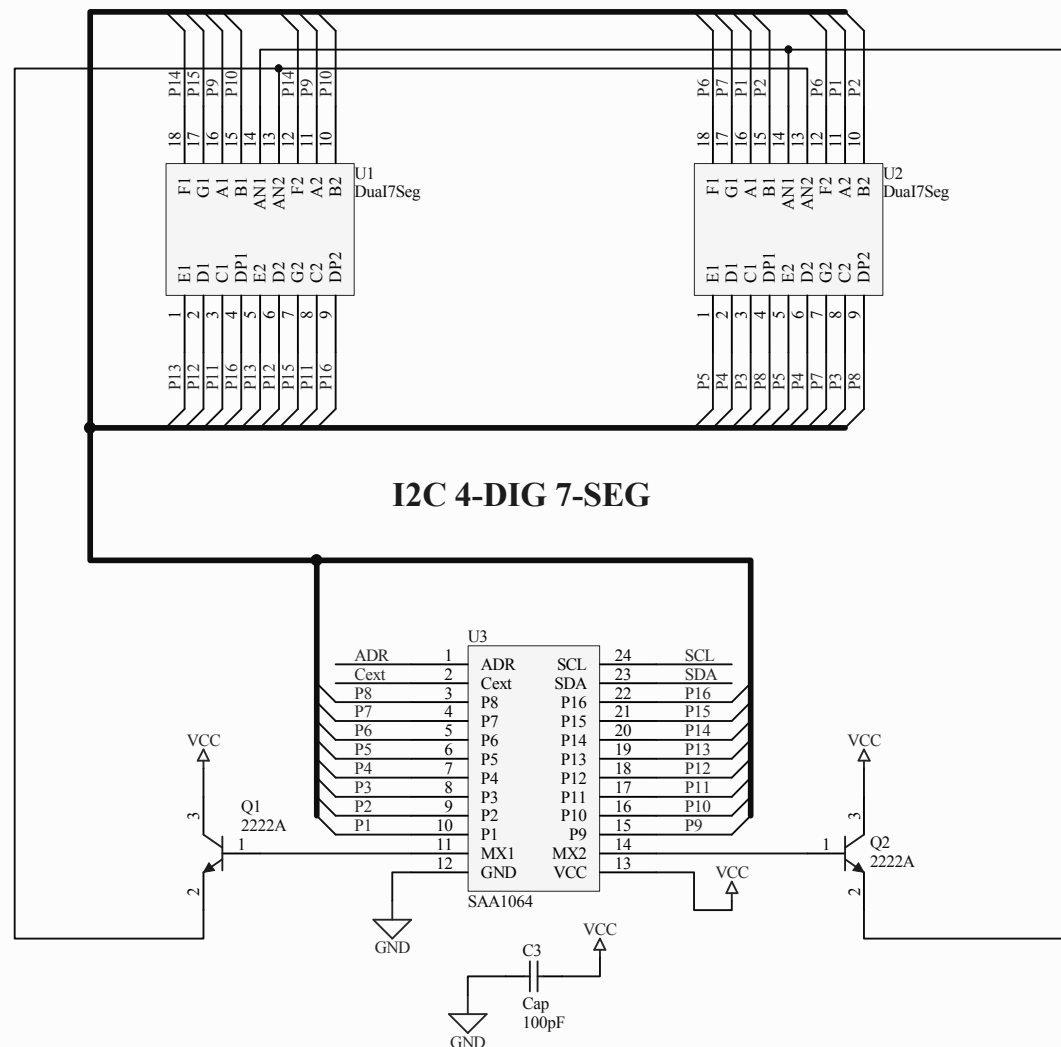
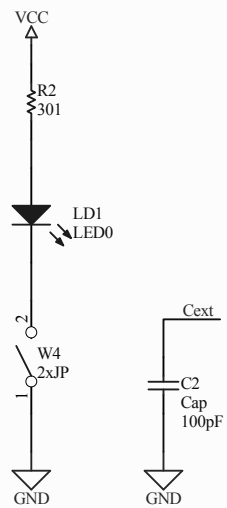


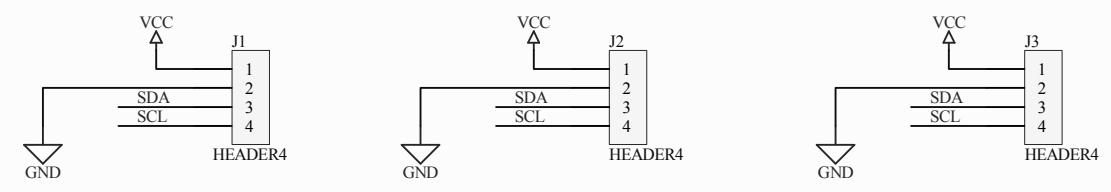
PWR ON LED



Addressing Table

- 2=0x76
- 3=0x74
- 4=0x72
- 5=0x70

I2C Addressing



GRAVITECH
WWW.GRAVITECH.US

MADE IN U.S.A
ELECTRONIC EXPERIMENTAL SOLUTIONS

TITLE: SCH-I2C-7SEG BOARD		
DWG NUMBER:	REV: V3.0	
DATE: 04-07-2013	SIDE: 17X11	SHEET: 1