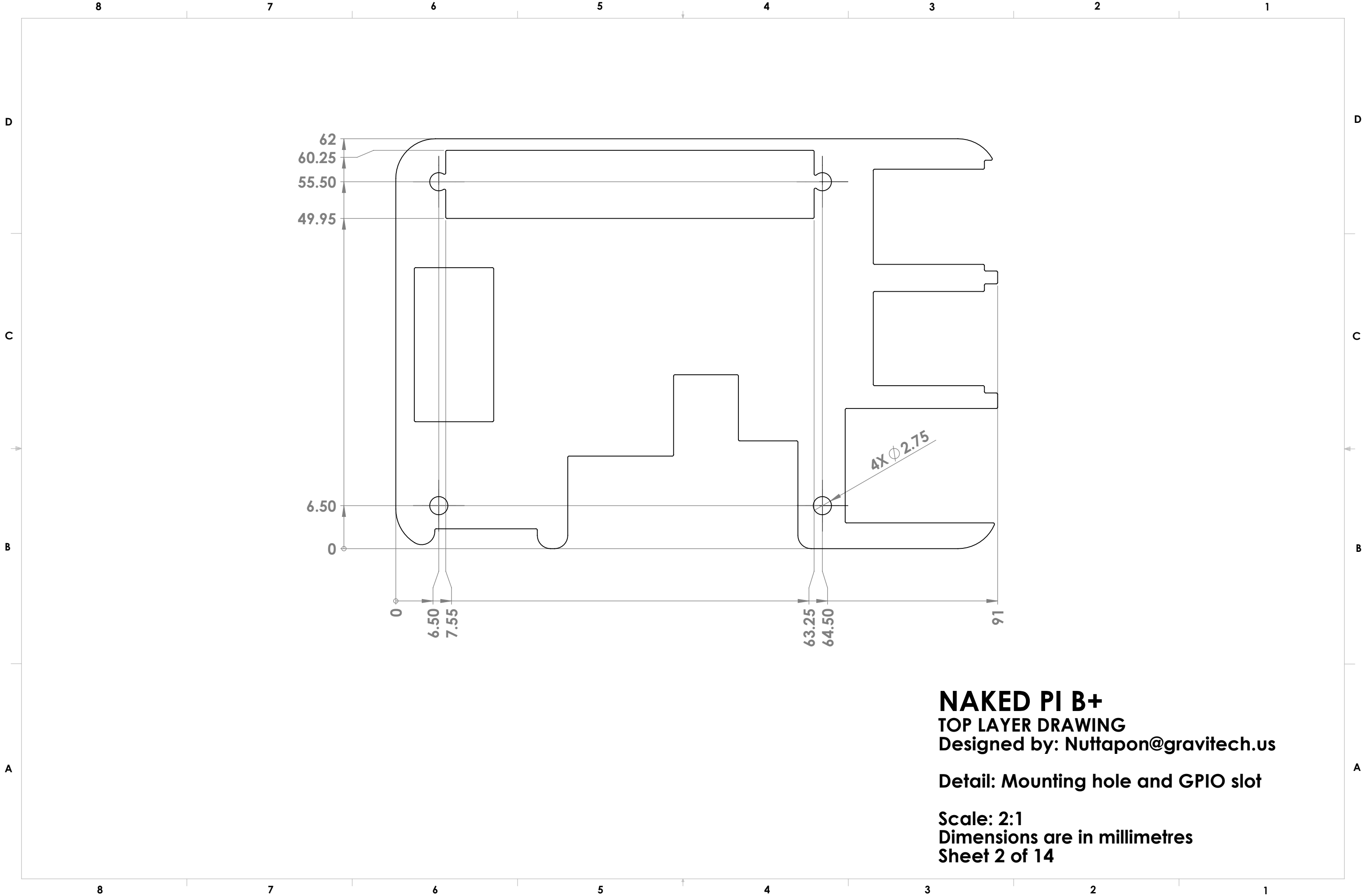
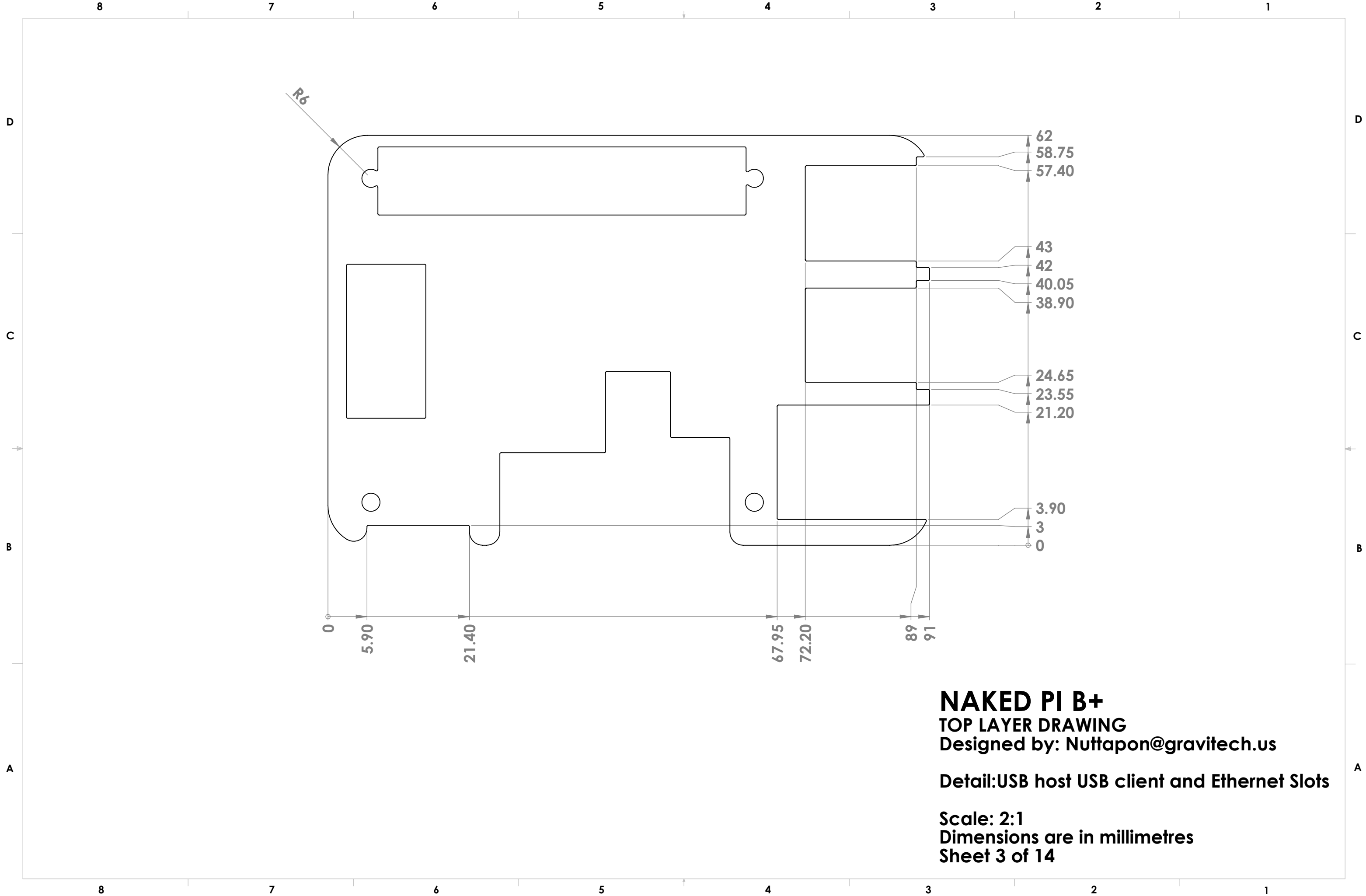


NAKED PI B+
TOP LAYER DRAWING
 Designed by: Nuttapon@gravitech.us

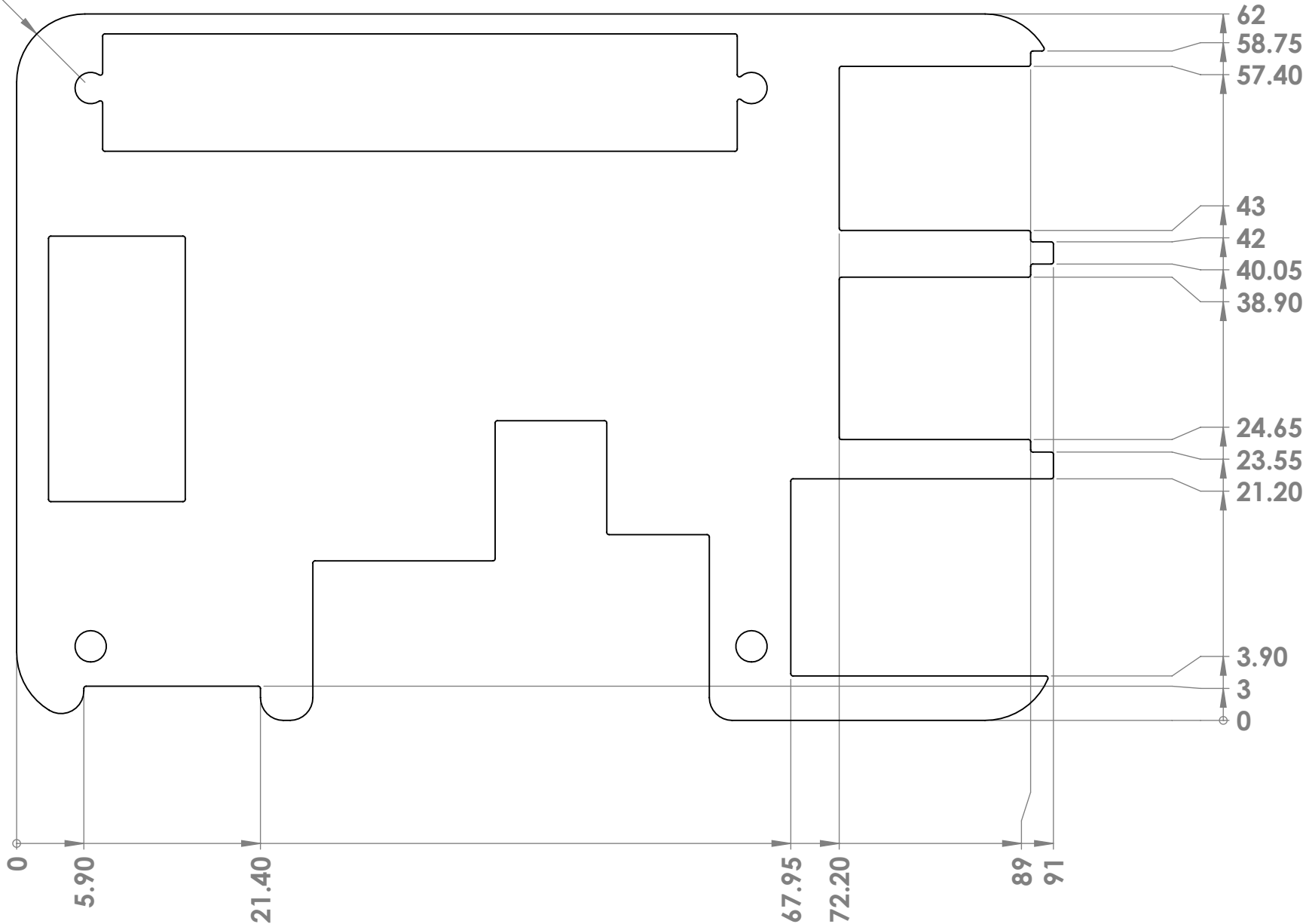
Detail: Display, HDMI, Camera and A/V slots

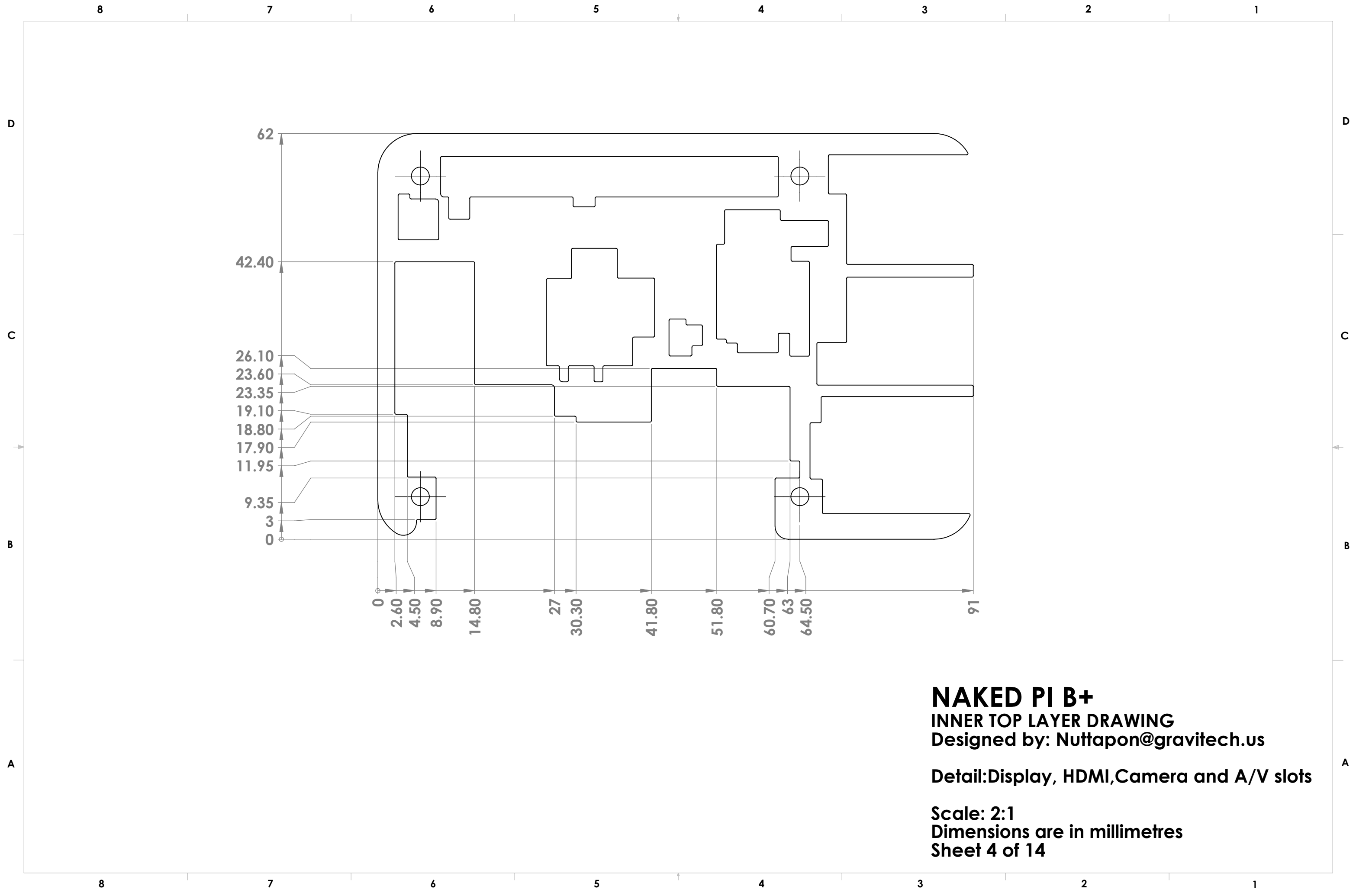
Scale: 2:1
Dimensions are in millimetres
Sheet 1 of 14





R6

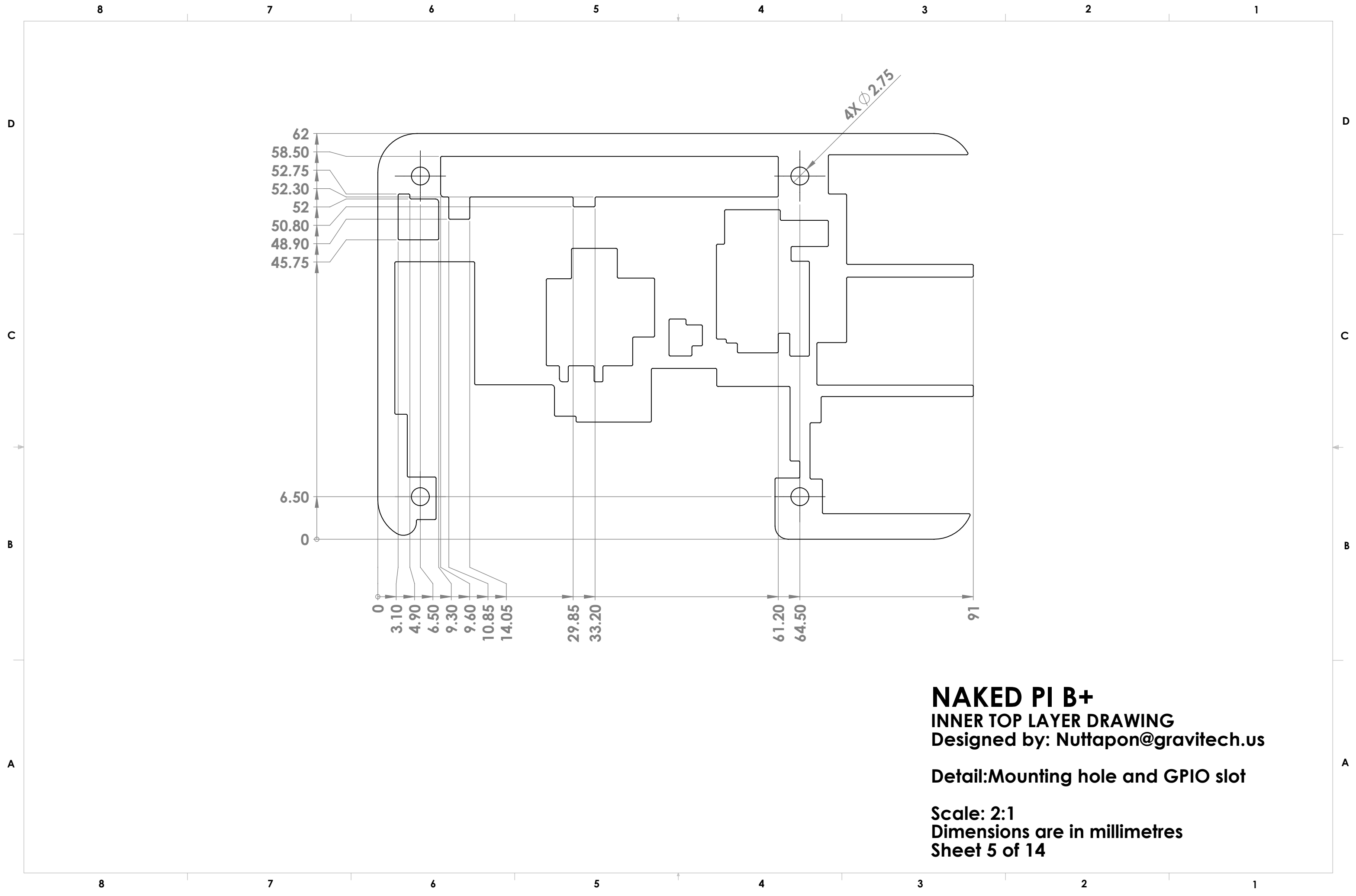




NAKED PI B+
INNER TOP LAYER DRAWING
 Designed by: Nuttapon@gravitech.us

Detail: Display, HDMI, Camera and A/V slots

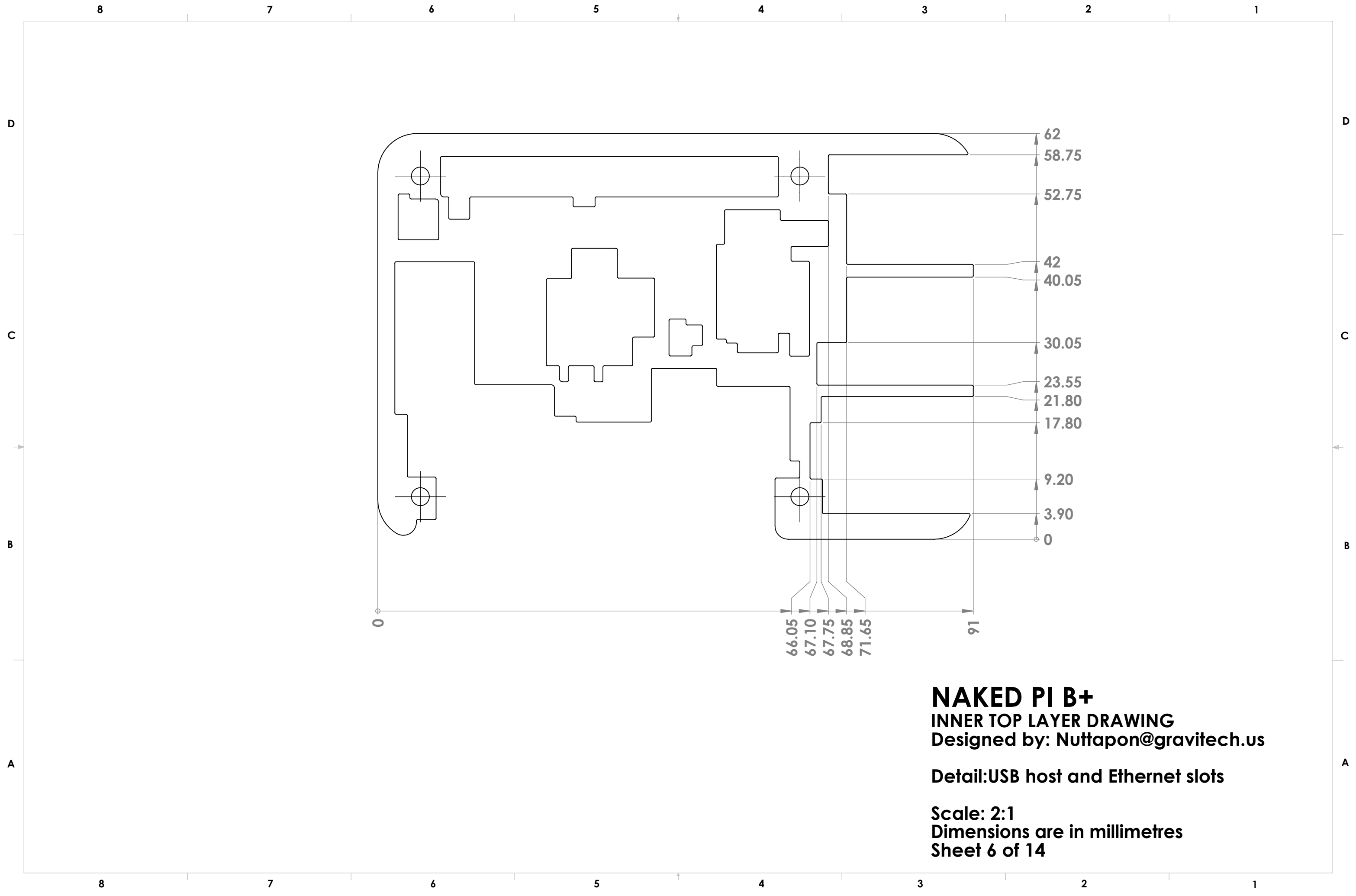
Scale: 2:1
Dimensions are in millimetres
Sheet 4 of 14



NAKED PI B+
INNER TOP LAYER DRAWING
Designed by: Nuttapon@gravitech.us

Detail: Mounting hole and GPIO slot

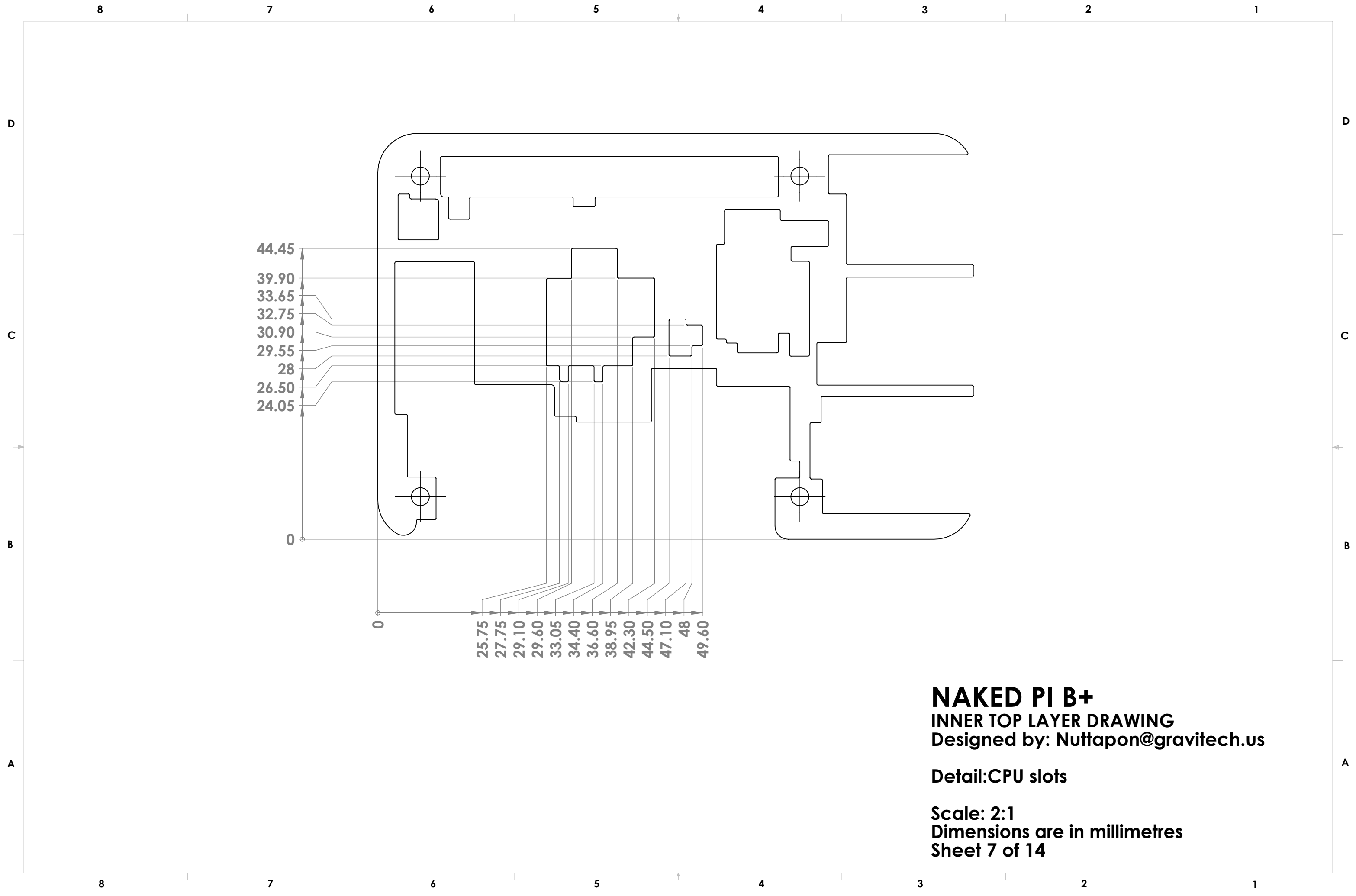
Scale: 2:1
Dimensions are in millimetres
Sheet 5 of 14



NAKED PI B+
INNER TOP LAYER DRAWING
 Designed by: Nuttapon@gravitech.us

Detail:USB host and Ethernet slots

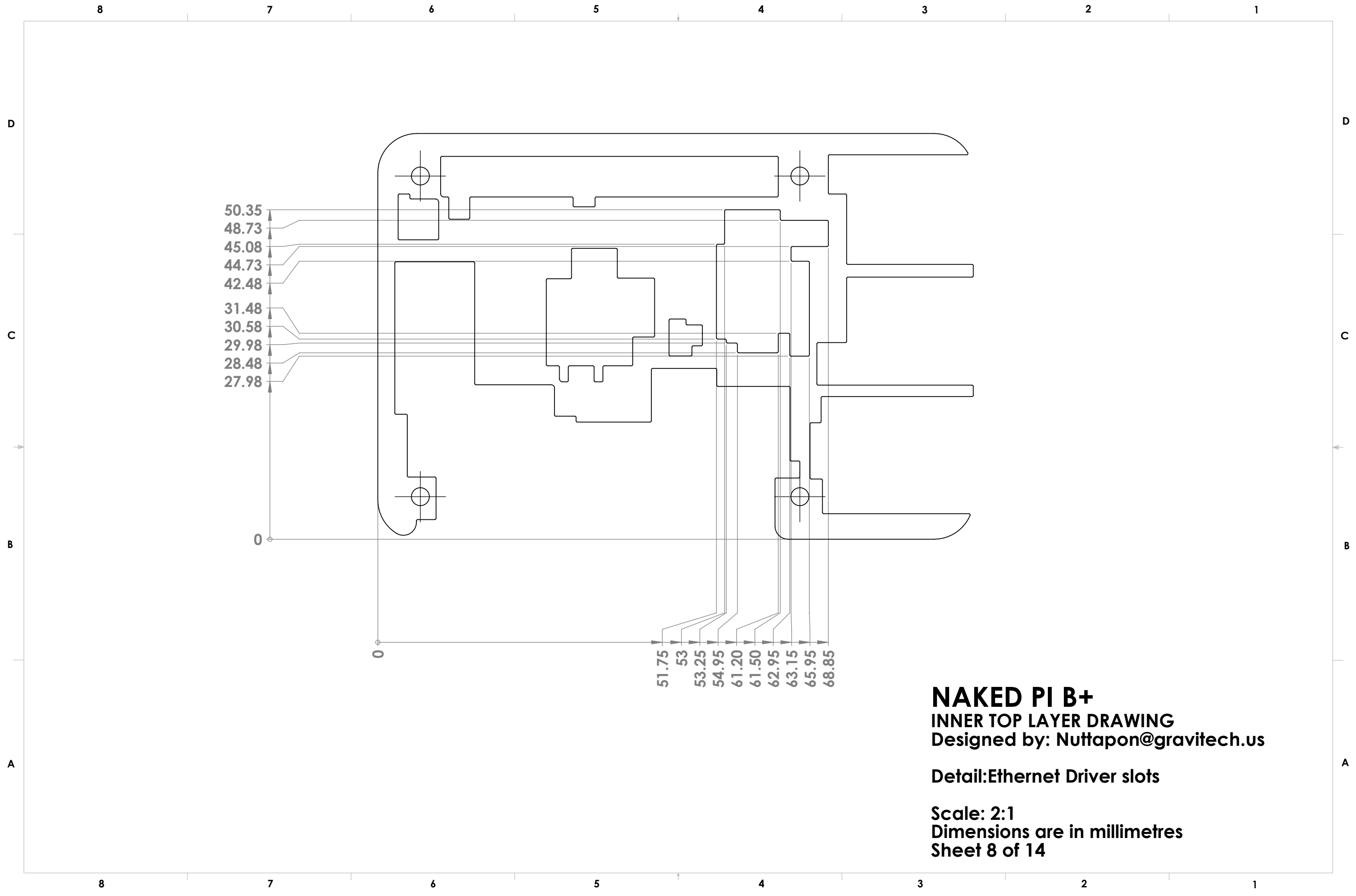
Scale: 2:1
Dimensions are in millimetres
Sheet 6 of 14



NAKED PI B+
INNER TOP LAYER DRAWING
 Designed by: Nuttapon@gravitech.us

Detail:CPU slots

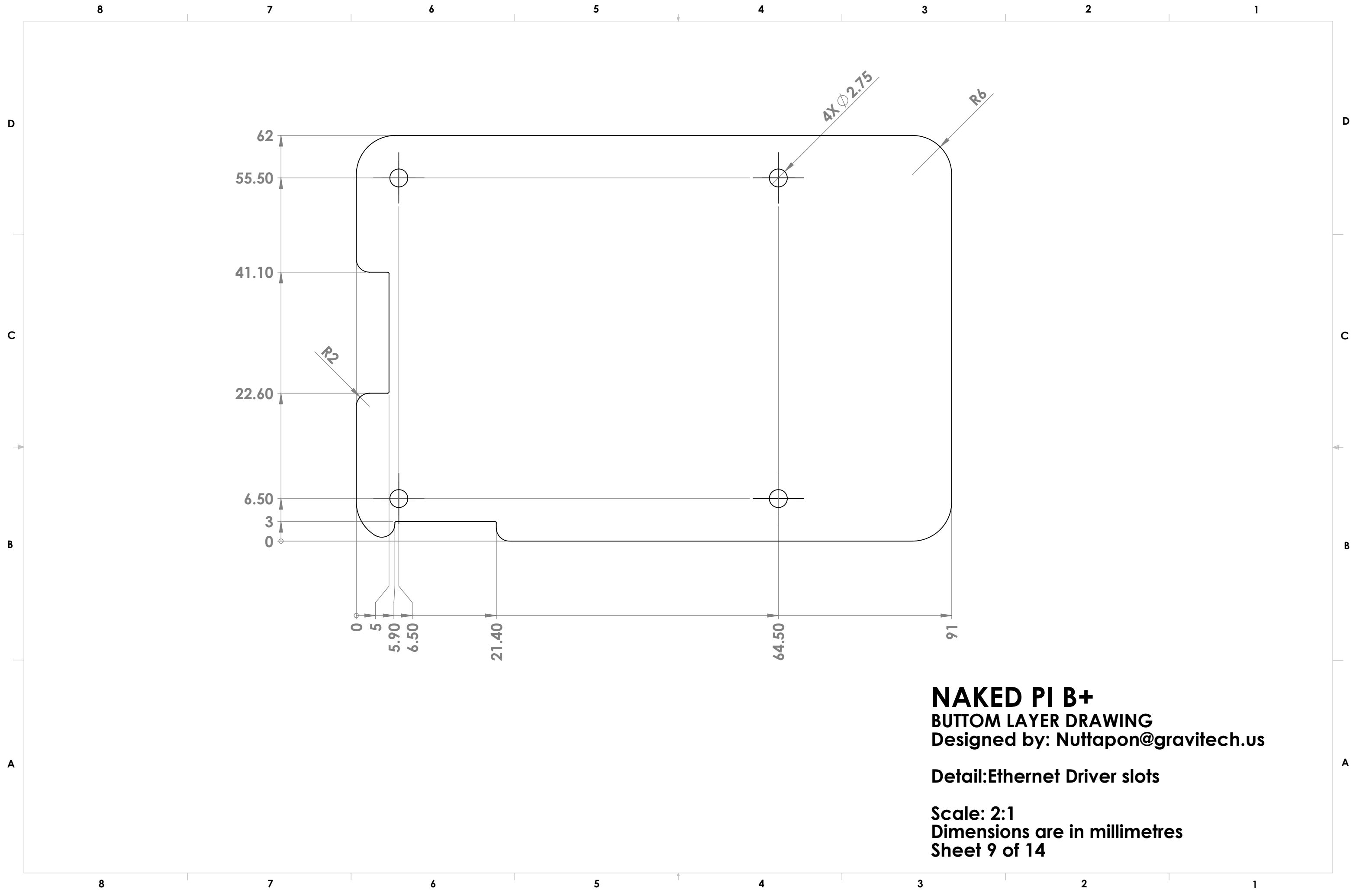
Scale: 2:1
Dimensions are in millimetres
Sheet 7 of 14



NAKED PI B+
INNER TOP LAYER DRAWING
Designed by: Nuttapon@gravitech.us

Detail: Ethernet Driver slots

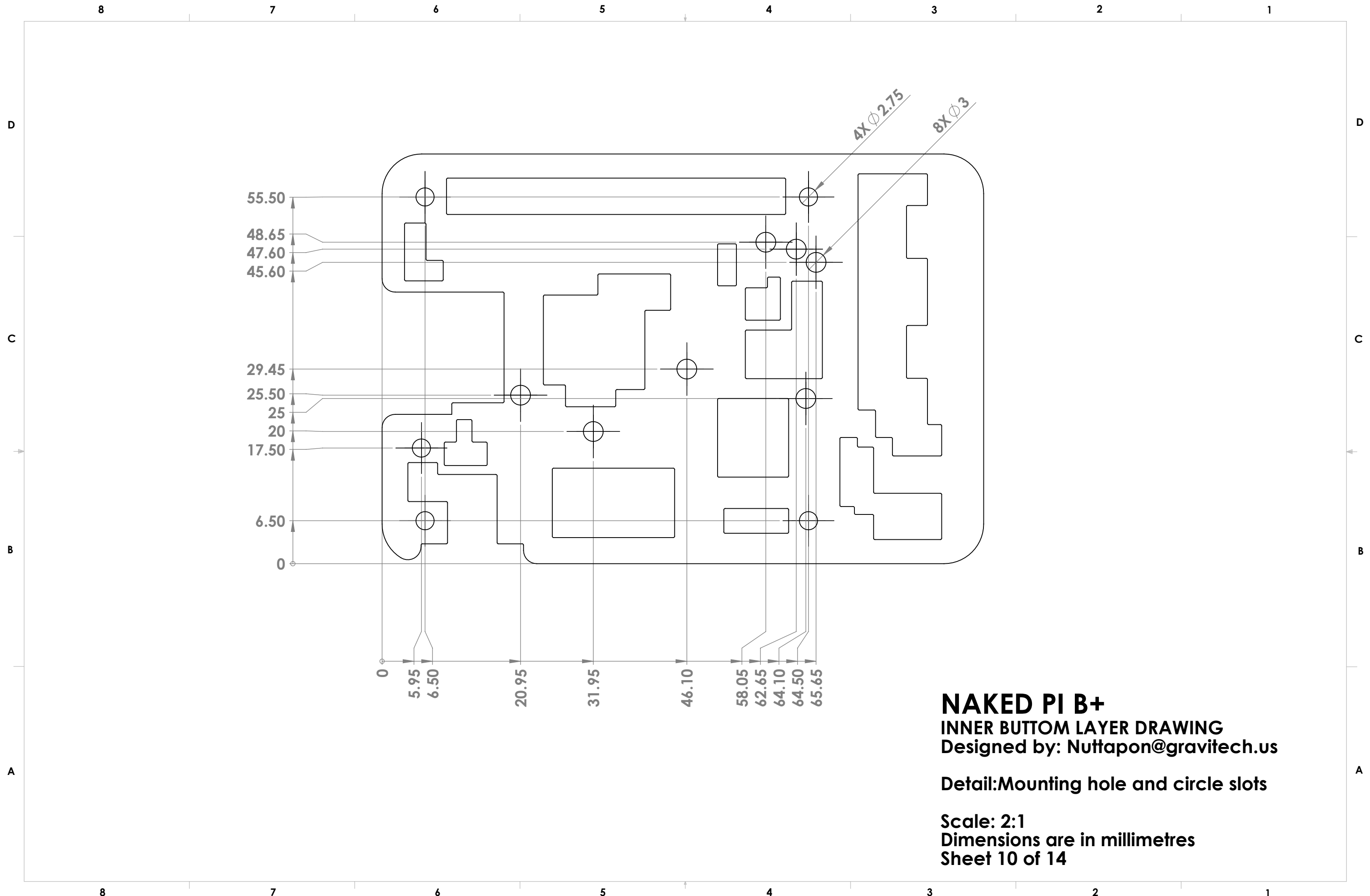
Scale: 2:1
Dimensions are in millimetres
Sheet 8 of 14



NAKED PI B+
BUTOM LAYER DRAWING
Designed by: Nuttapon@gravitech.us

Detail:Ethernet Driver slots

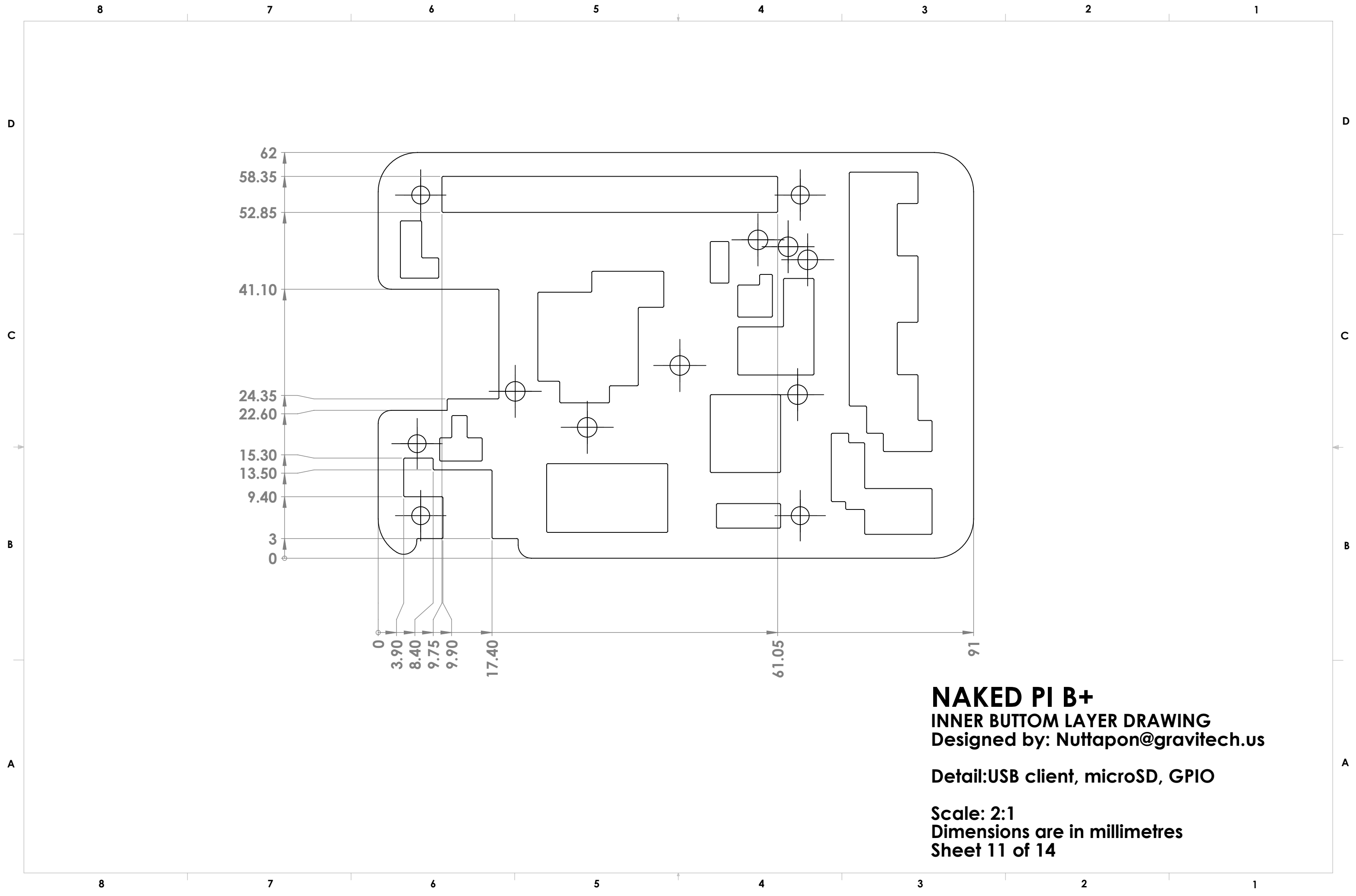
Scale: 2:1
Dimensions are in millimetres
Sheet 9 of 14



NAKED PI B+
INNER BOTTOM LAYER DRAWING
 Designed by: Nuttapon@gravitech.us

Detail: Mounting hole and circle slots

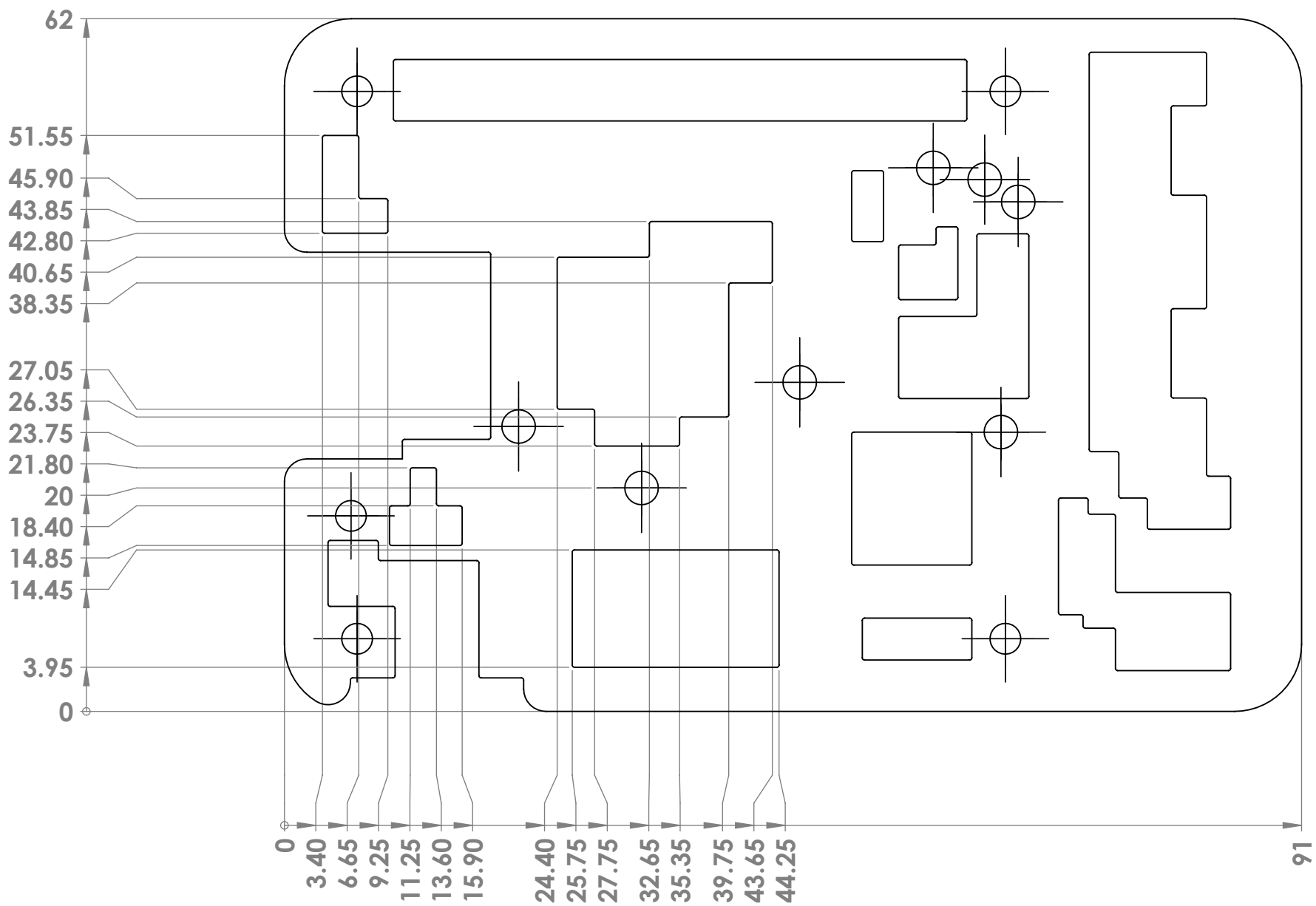
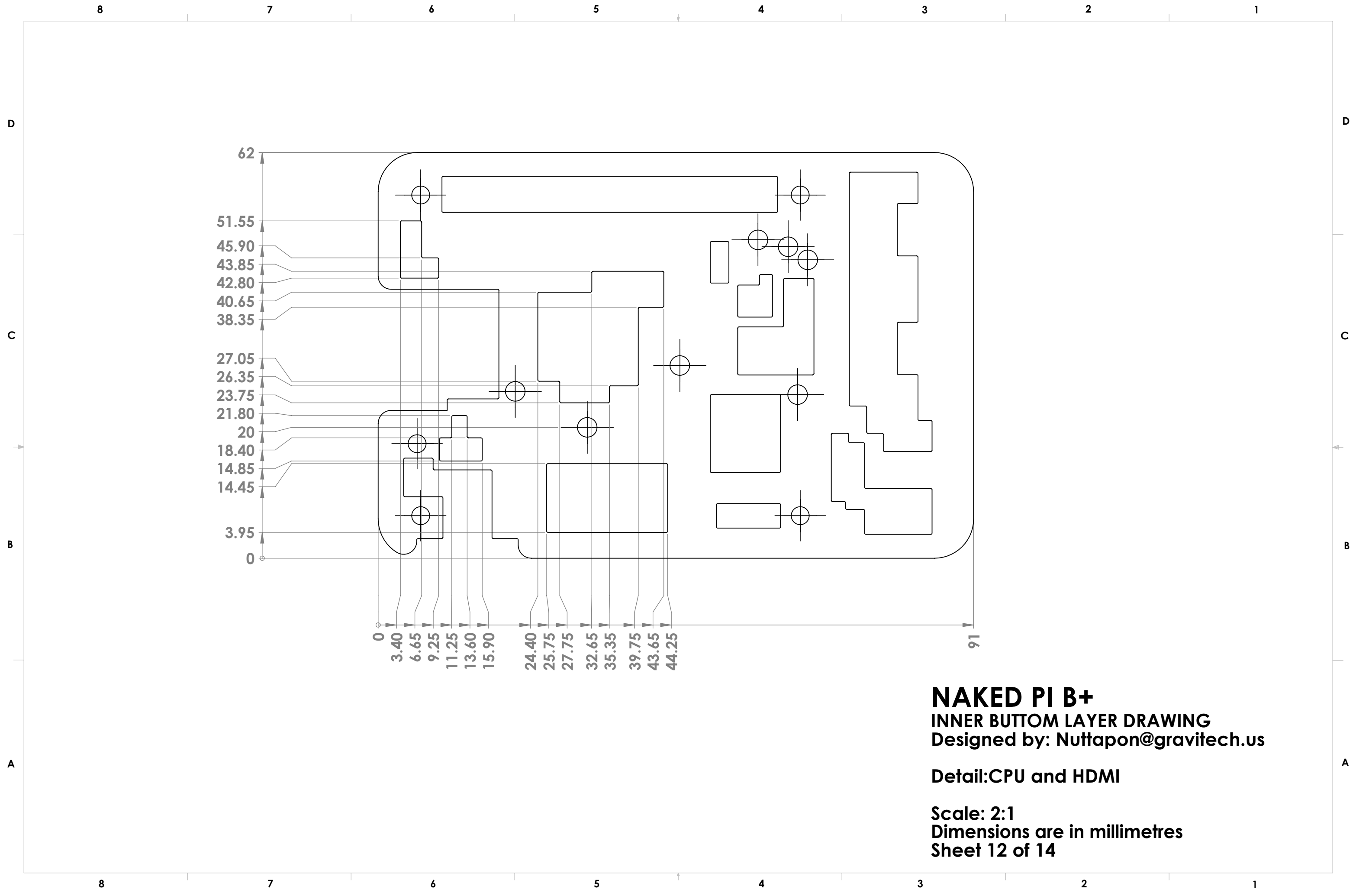
Scale: 2:1
Dimensions are in millimetres
Sheet 10 of 14



NAKED PI B+
INNER BUTTOM LAYER DRAWING
Designed by: Nuttapon@gravitech.us

Detail:USB client, microSD, GPIO

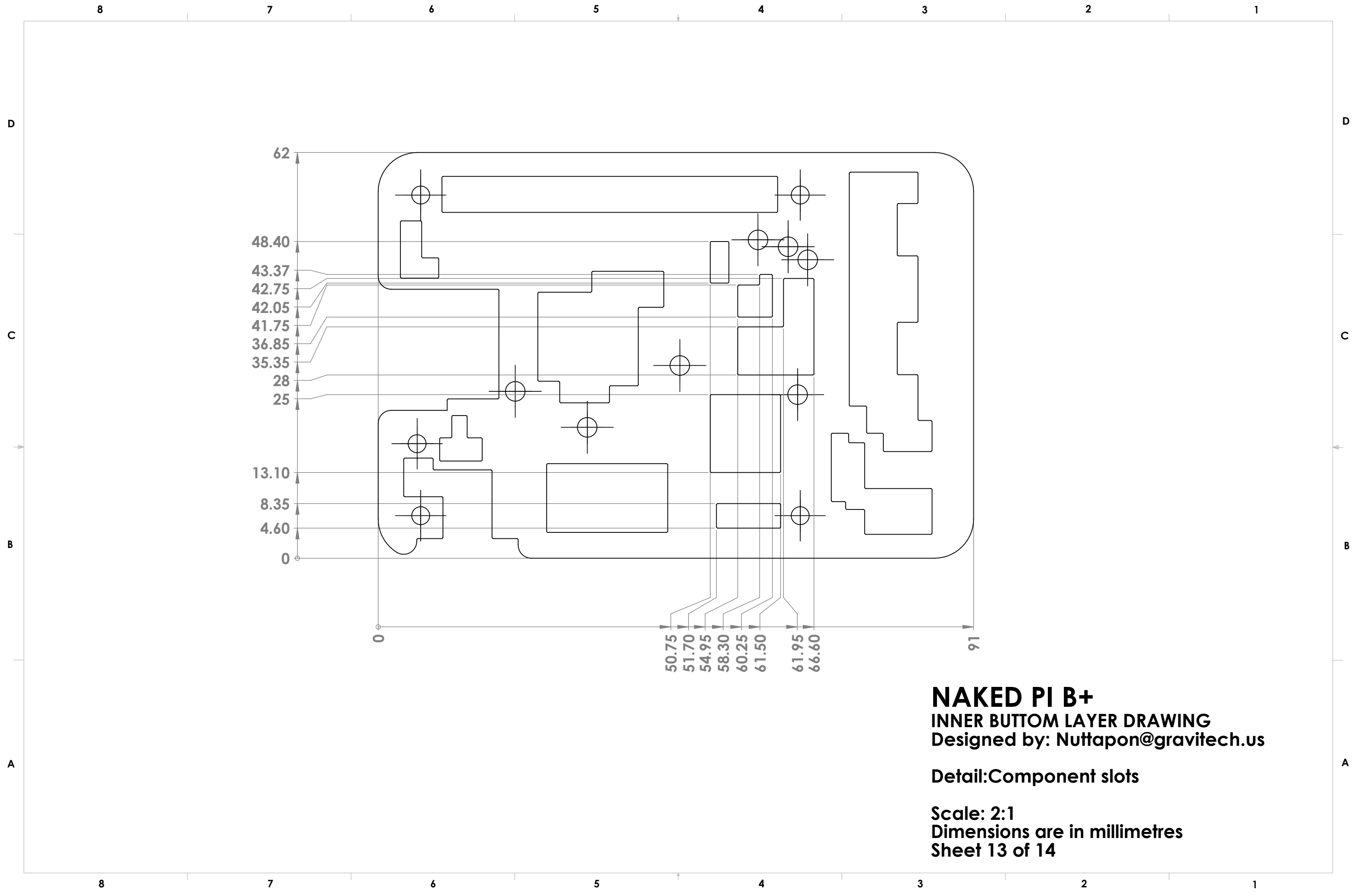
Scale: 2:1
Dimensions are in millimetres
Sheet 11 of 14



NAKED PI B+
INNER BUTTOM LAYER DRAWING
 Designed by: Nuttapon@gravitech.us

Detail:CPU and HDMI

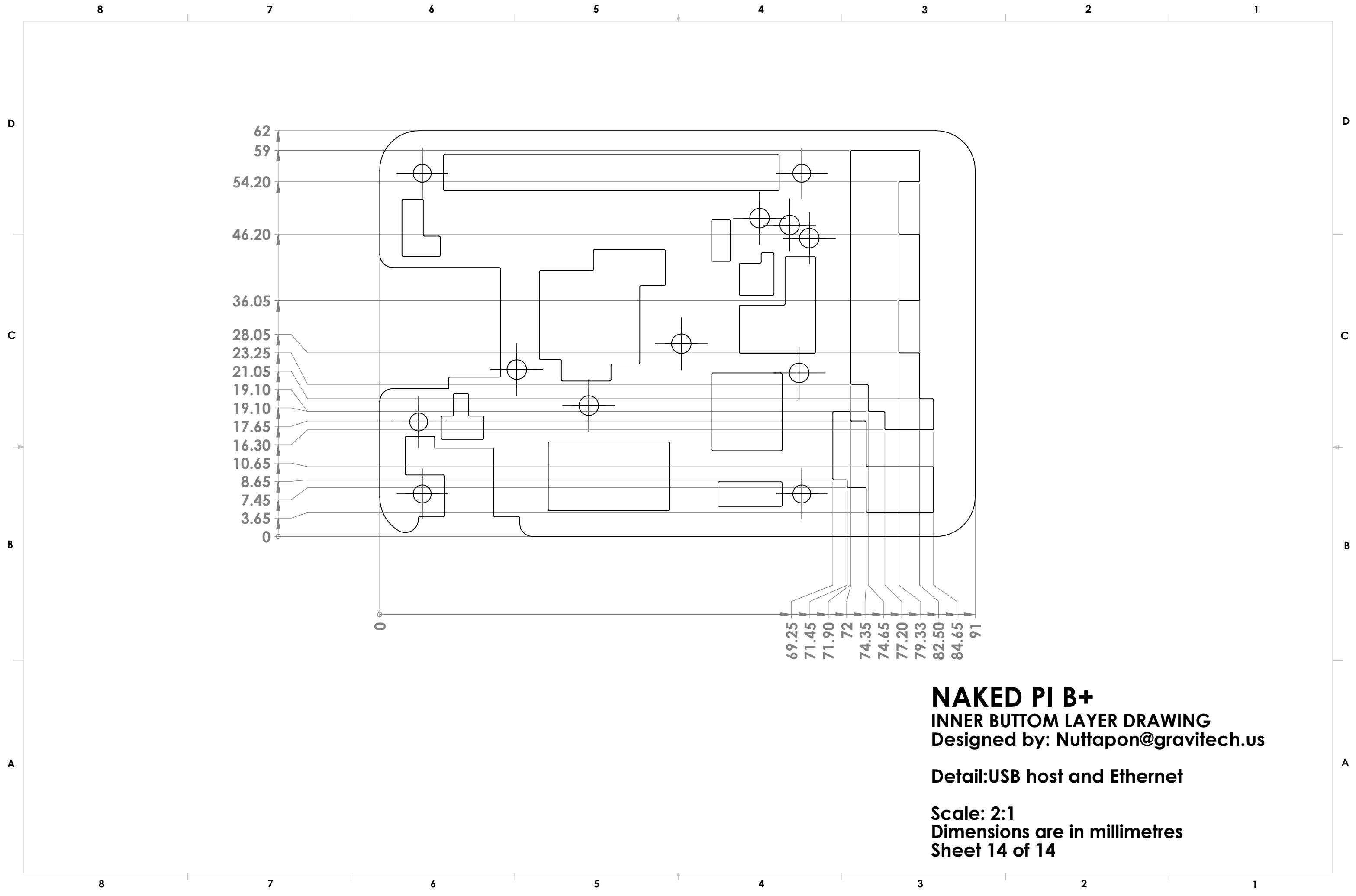
Scale: 2:1
Dimensions are in millimetres
Sheet 12 of 14



NAKED PI B+
INNER BUTTOM LAYER DRAWING
Designed by: Nuttapon@gravitech.us

Detail:Component slots

Scale: 2:1
Dimensions are in millimetres
Sheet 13 of 14



NAKED PI B+
INNER BUTTOM LAYER DRAWING
 Designed by: Nuttapon@gravitech.us

Detail:USB host and Ethernet

Scale: 2:1
Dimensions are in millimetres
Sheet 14 of 14