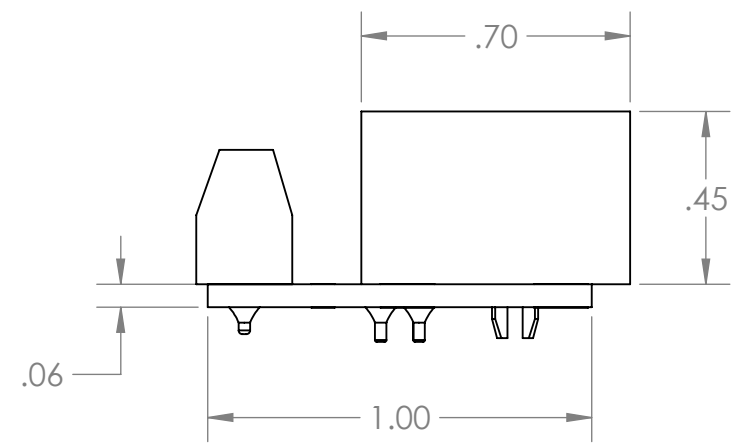
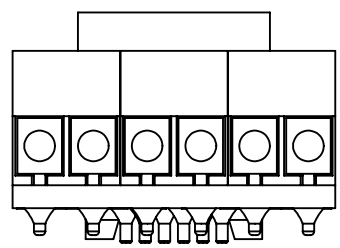
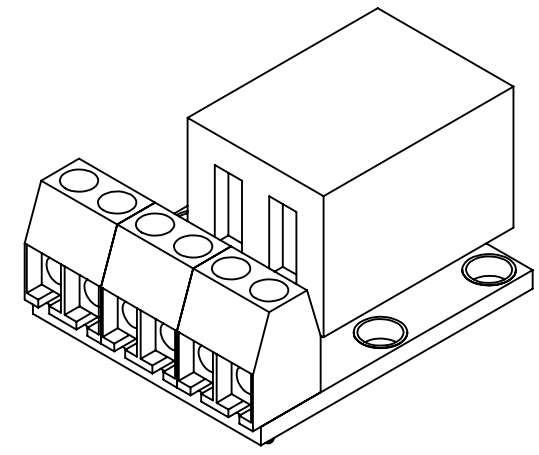
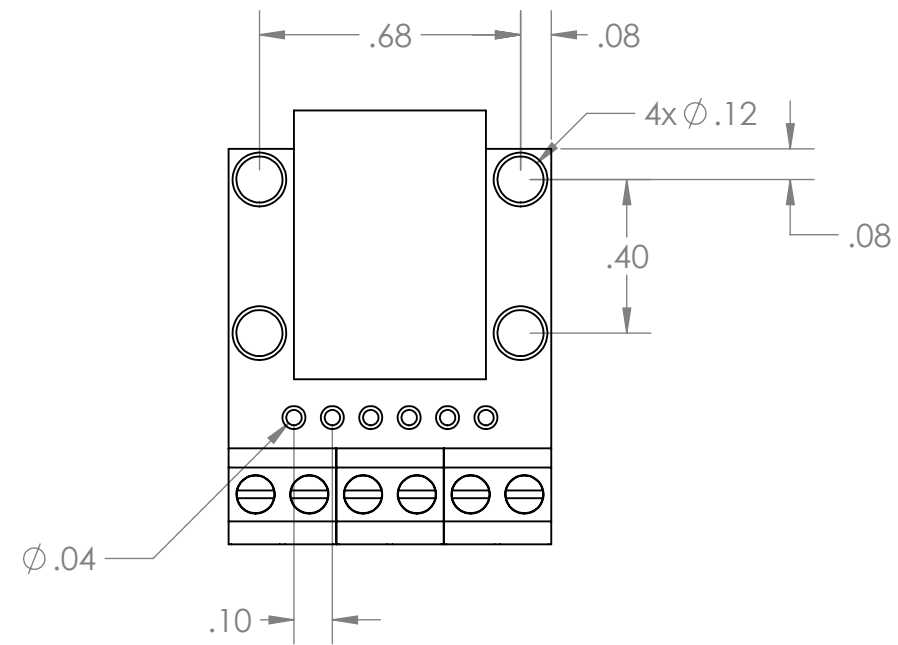



8 7 6 5 4 3 2 1

D
C
B
A



8 7 6 5 4 3 2 1

 GRAVITECH WWW.GRAVITECH.US		MADE IN U.S.A. ELECTRONIC EXPERIMENTAL SOLUTIONS	
TITLE: RJ11 BREAKOUT BOARD		P/N: RJ11-TERM	
SIZE B	DWG. NO.		
SCALE: 2:1	DO NOT SCALE DRAWING	ALL DIMENSION ARE IN INCH	SHEET 1 OF 1

D
C
B
A