

8 7 6 5 4 3 2 1

D

C

B

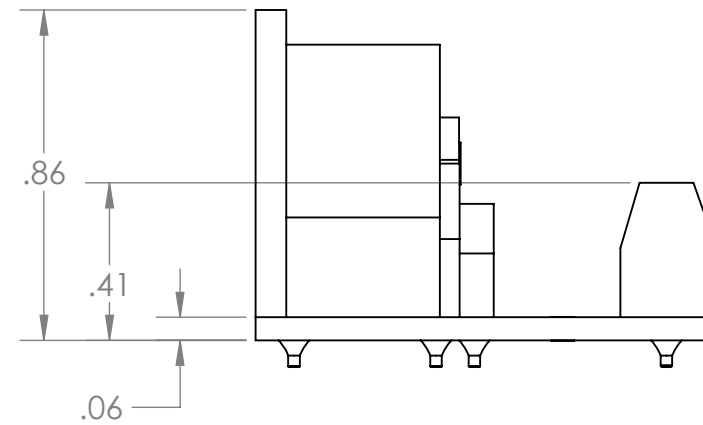
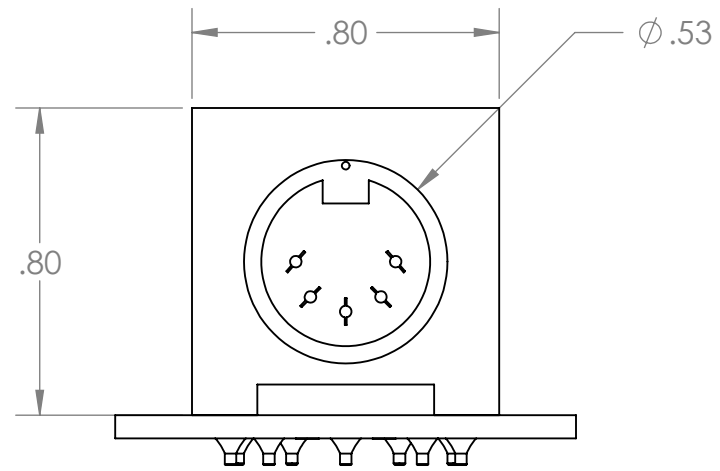
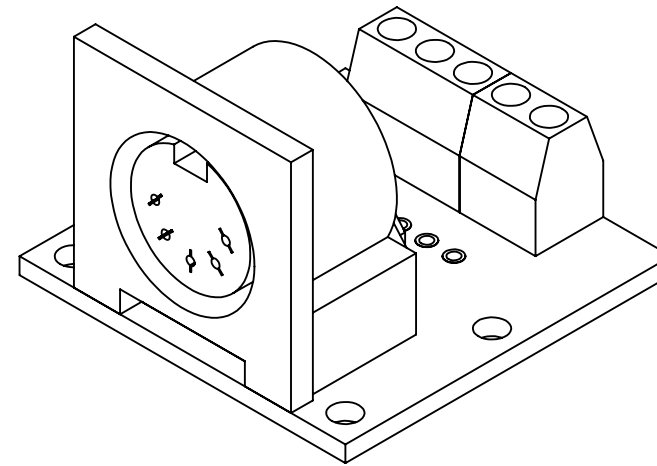
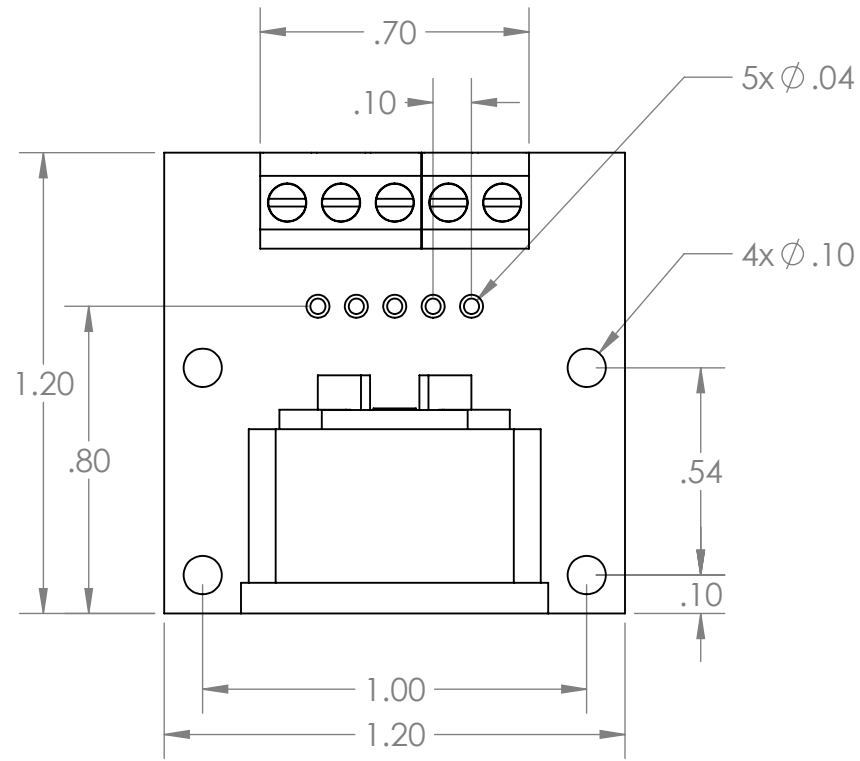
A


D

C

B

A



 GRAVITECH WWW.GRAVITECH.US		MADE IN U.S.A. ELECTRONIC EXPERIMENTAL SOLUTIONS	
TITLE: MIDI BREAKOUT BOARD		P/N: MIDI-TERM	
SIZE B	DWG. NO.		
SCALE: 2:1	DO NOT SCALE DRAWING	ALL DIMENSION ARE IN INCH	SHEET 1 OF 1

8 7 6 5 4 3 2 1