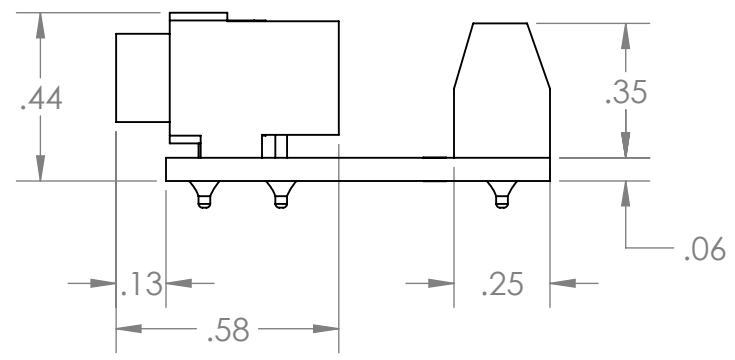
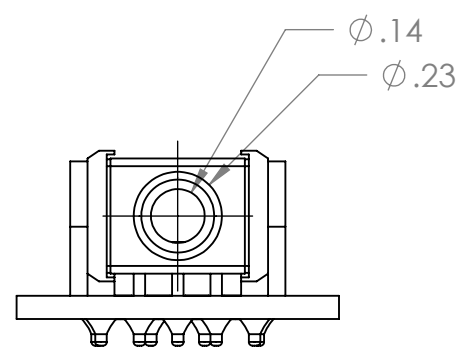
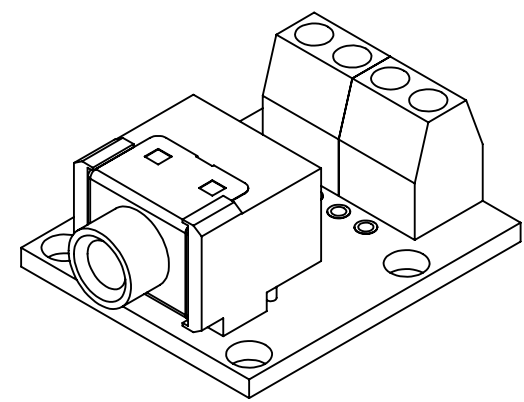
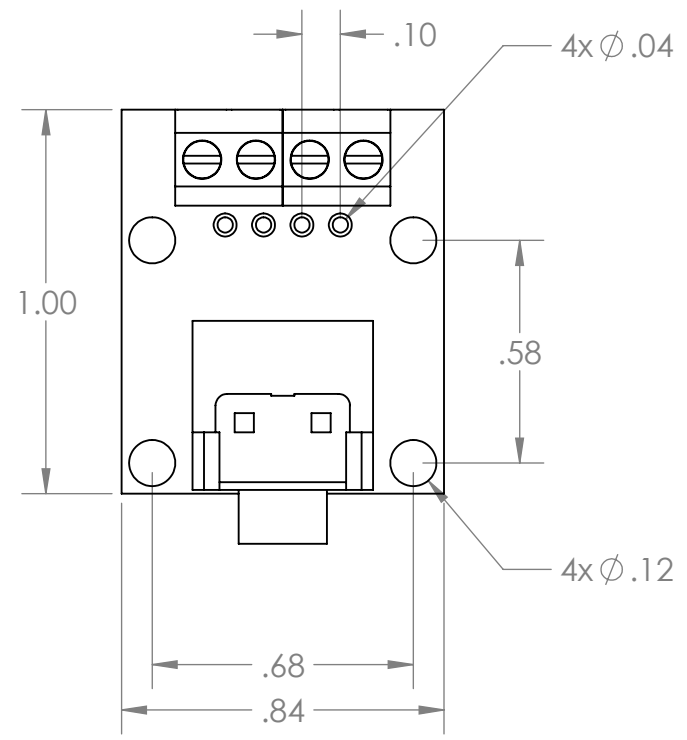



8 7 6 5 4 3 2 1

D  
C  
B  
A



 <b>GRAVITECH</b> WWW.GRAVITECH.US		MADE IN U.S.A. ELECTRONIC EXPERIMENTAL SOLUTIONS	
TITLE: JACK35 BREAKOUT BOARD		P/N: JACK35-TERM	
SIZE <b>B</b>	DWG. NO.		
SCALE: 2:1	DO NOT SCALE DRAWING	ALL DIMENSION ARE IN INCH	SHEET 1 OF 1

8 7 6 5 4 3 2 1