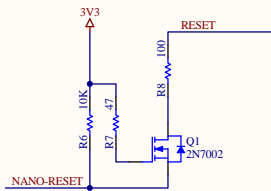
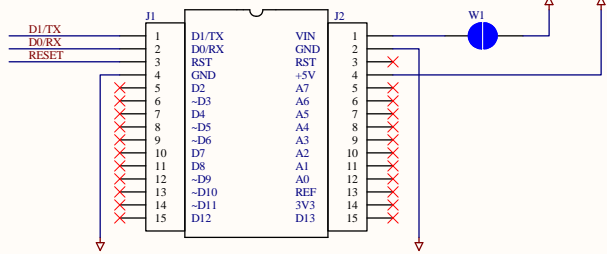


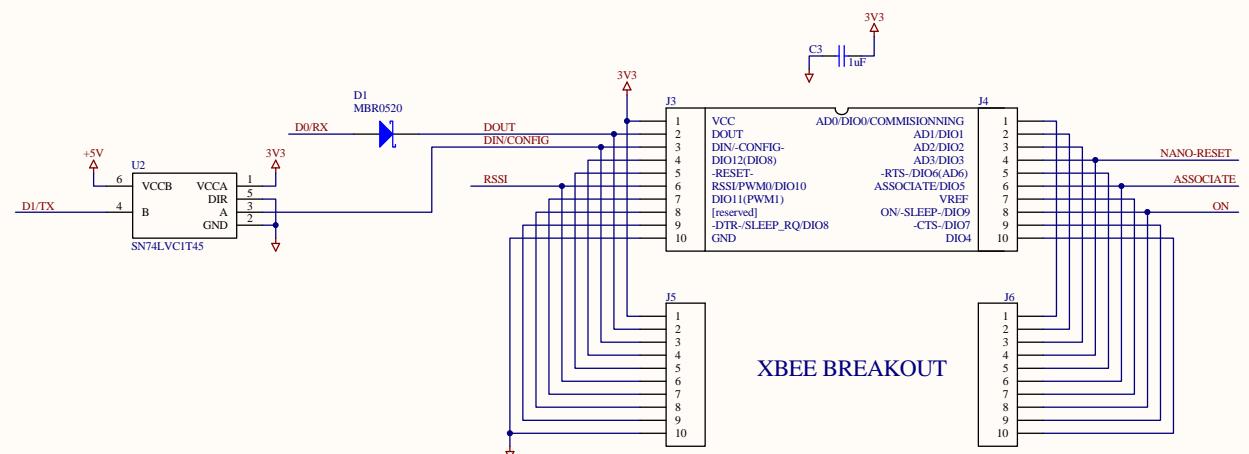
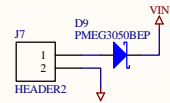
NANO RESET FOR UPLOAD FIRMWARE



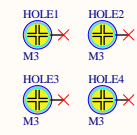
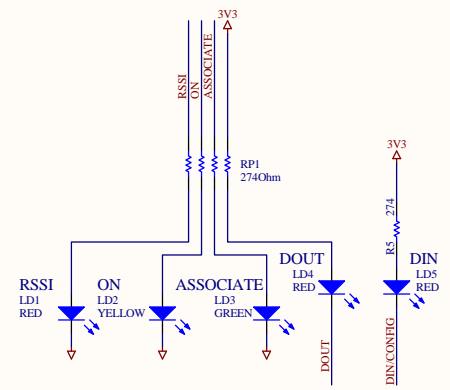
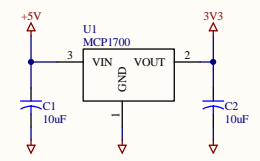
ARDUINO NANO SOCKET




VIN < 25V



3.3V 250mA VREG



 GRAVITECH WWW.GRAVITECH.US		MADE IN U.S.A ELECTRONIC EXPERIMENTAL SOLUTIONS	
TITLE: <i>SCH-XBEE-4NANO V1.0</i>			
DWG NUMBER:		REV:	
DATE:	SIDE:	SHEET:	