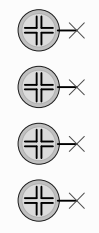
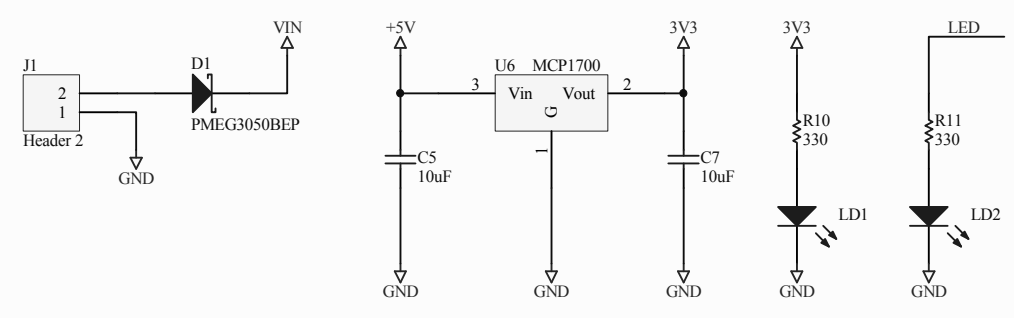
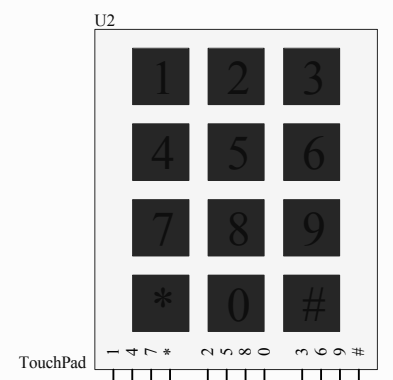
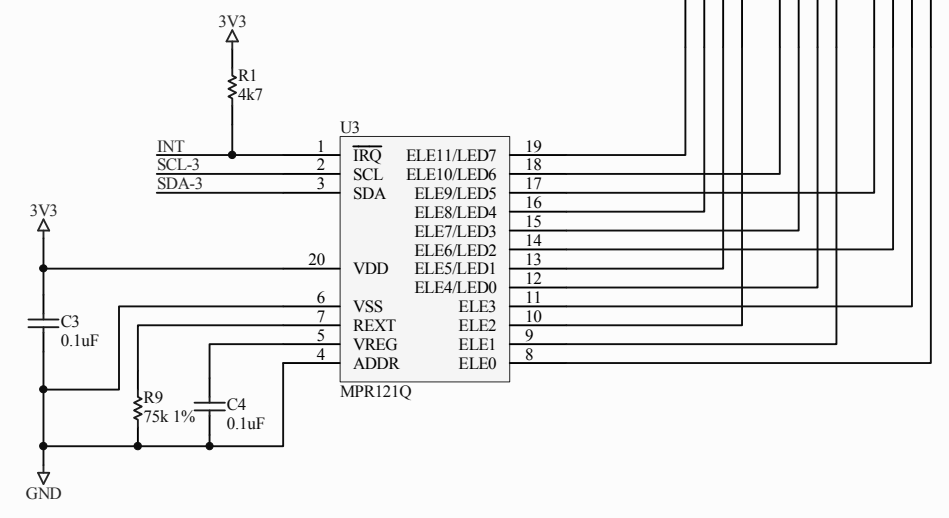
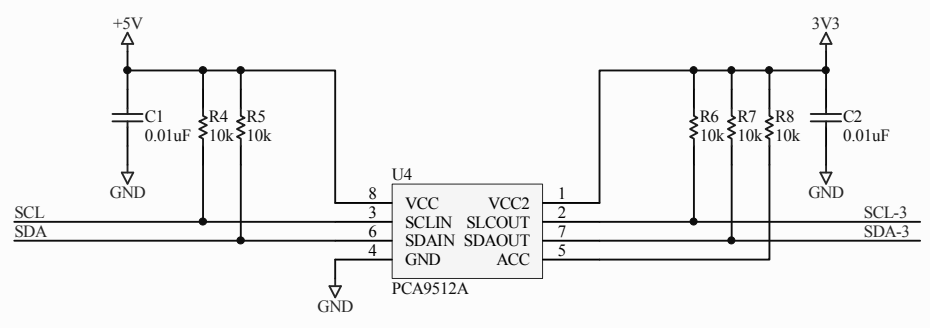
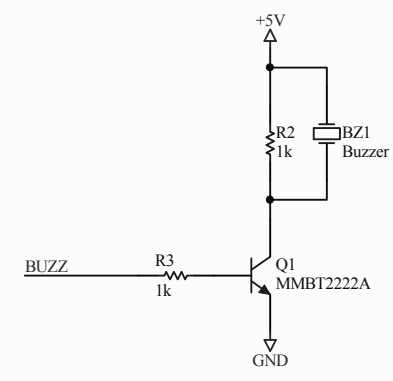
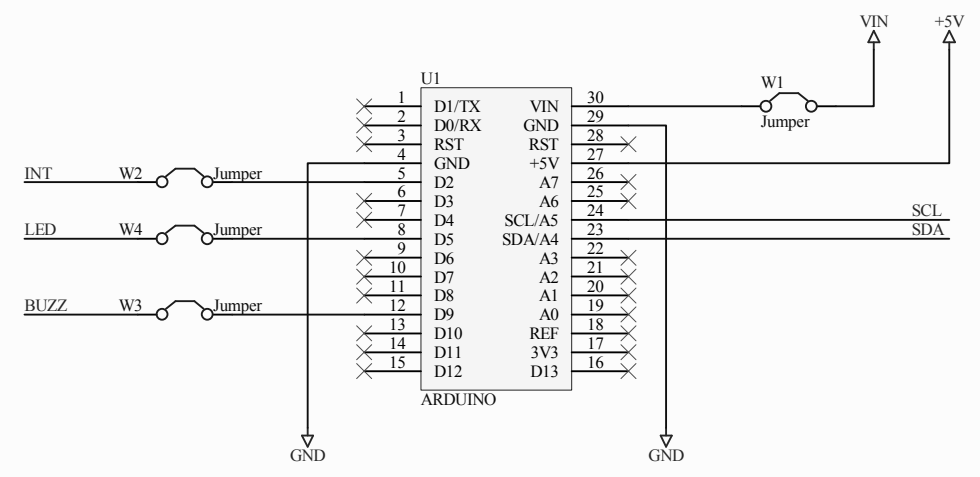


A

A



B


B

C

C

D

D

 GRAVITECH WWW.GRAVITECH.US	MADE IN U.S.A ELECTRONIC EXPERIMENTAL SOLUTIONS		
	TITLE : SHC-TOUCH-4NANO		
DWG NUMER :			REV : V1.0
DATA : 29-06-2013	SIZE : 17X11	SHEET : 1/1	