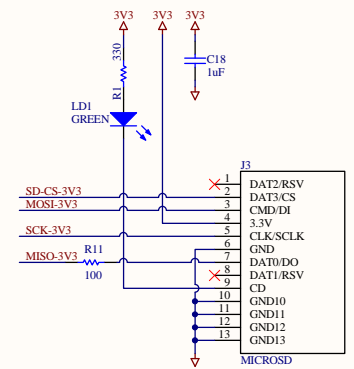
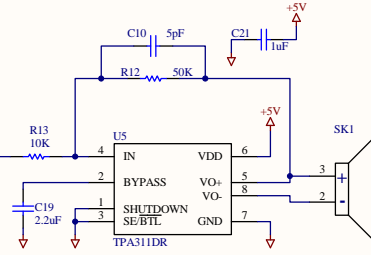
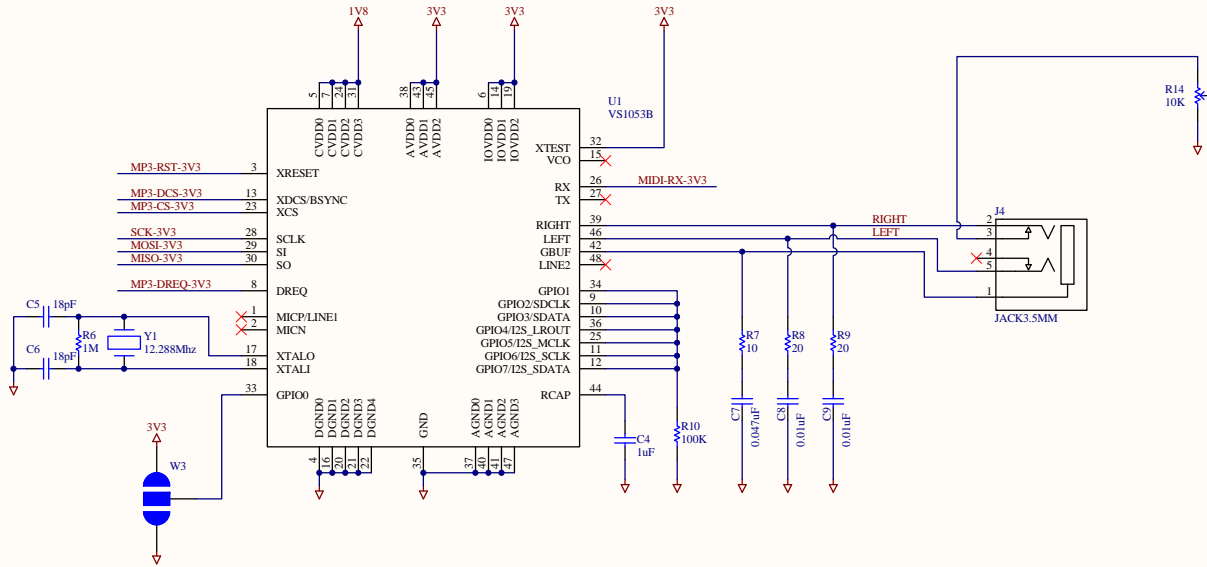
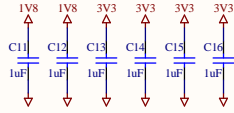
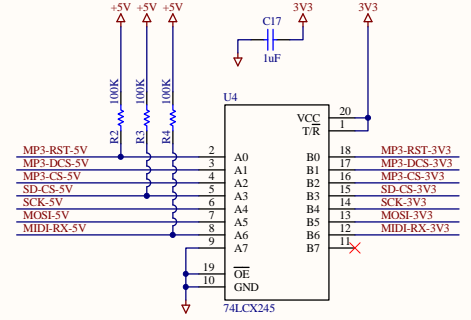
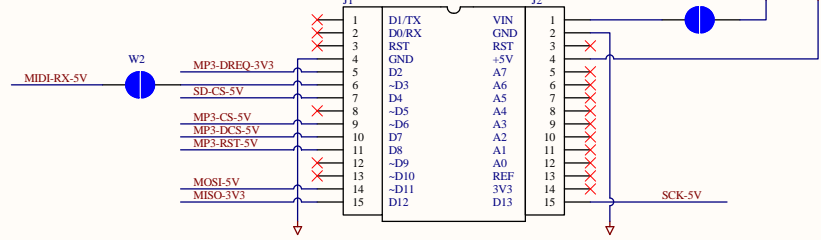
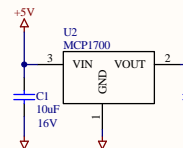


PIN USE		
PIN	FUNCTION	DIRECTION
D2	MP3-DREQ	INPUT
D3	MIDI-RX*	OUTPUT
D4	SD-CS	OUTPUT
D6	MP3-CS	OUTPUT
D7	MP3-DCS	OUTPUT
D8	MP3-RST	OUTPUT
D11	MOSI	OUTPUT
D12	MISO	INPUT
D13	SCK	OUTPUT

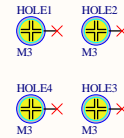
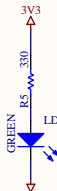
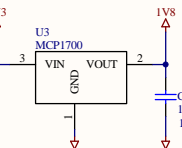
### ARDUINO NANO SOCKET



#### 3.3V 250mA VREG



#### 1.8V 200mA VREG



**GRAVITECH**  
WWW.GRAVITECH.US

**MADE IN U.S.A**  
ELECTRONIC EXPERIMENTAL SOLUTIONS

TITLE: \_MP3-4-NANO

DWG NUMBER:

REV:

DATE: \*

SIDE:

SHEET: 1/1