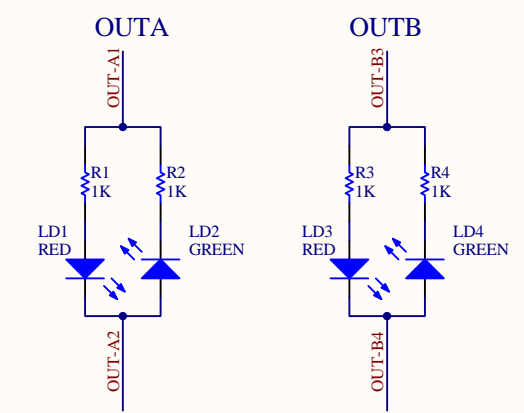
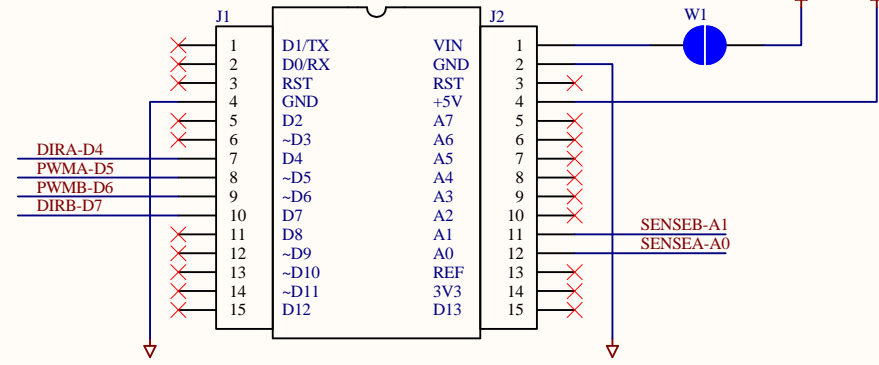
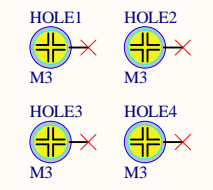
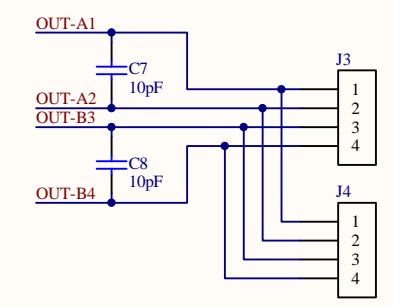
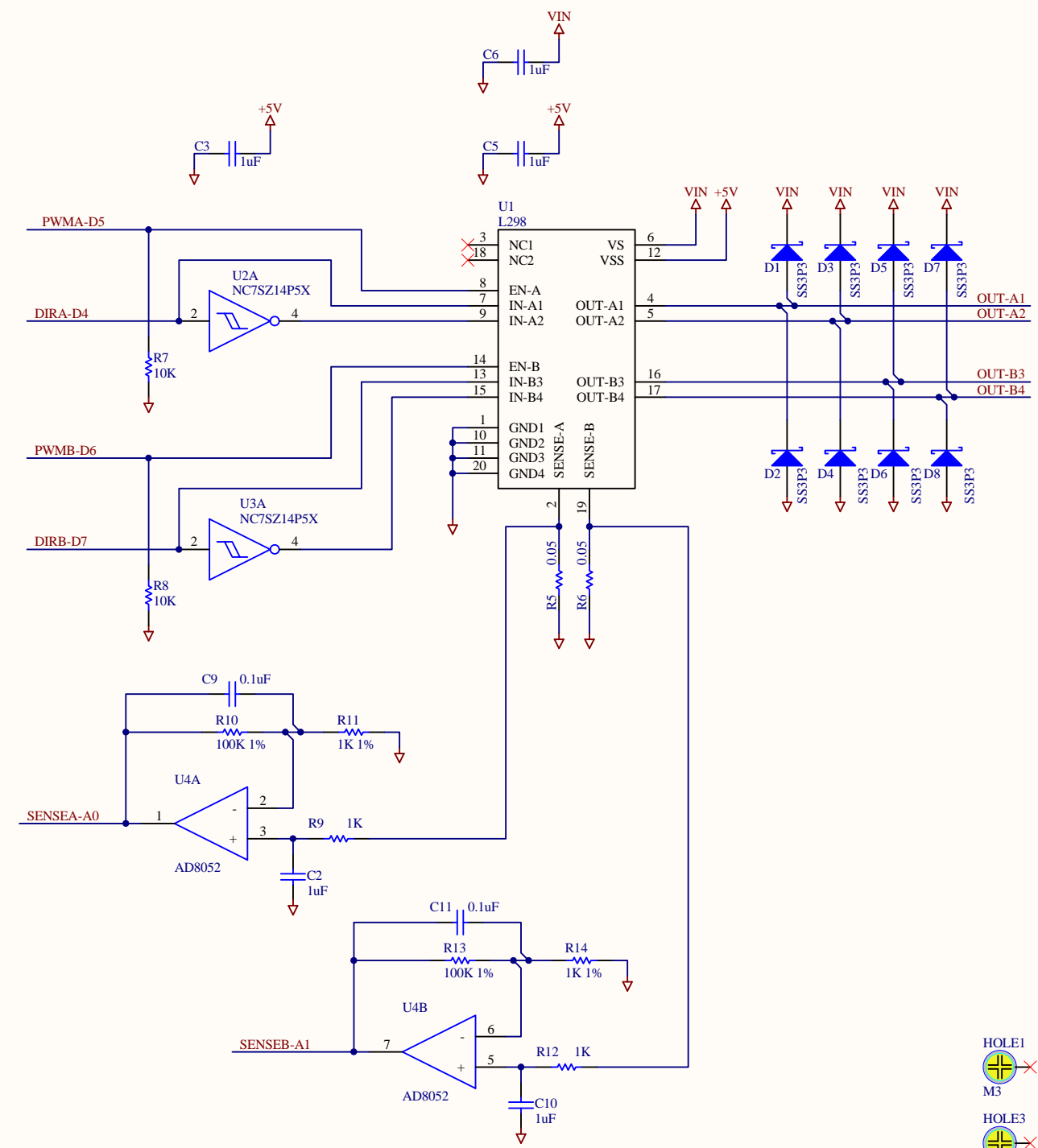
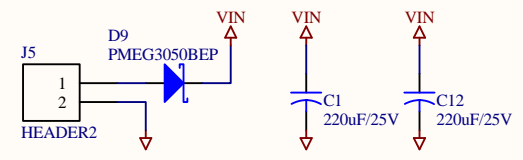


# ARDUINO NANO SOCKET



VIN = VMOTOR  
VIN < 25V



<b>GRAVITECH</b> WWW.GRAVITECH.US	<b>MADE IN U.S.A</b> ELECTRONIC EXPERIMENTAL SOLUTIONS	
	TITLE: 2MOTOR-4NANO_Schematic	
DWG NUMBER: I2C-TRN v2.0 by Vichien	REV: B	
DATE: 6/19/2011	SIDE:	SHEET: 1 OF 1